

30-107C

Metallic Lining

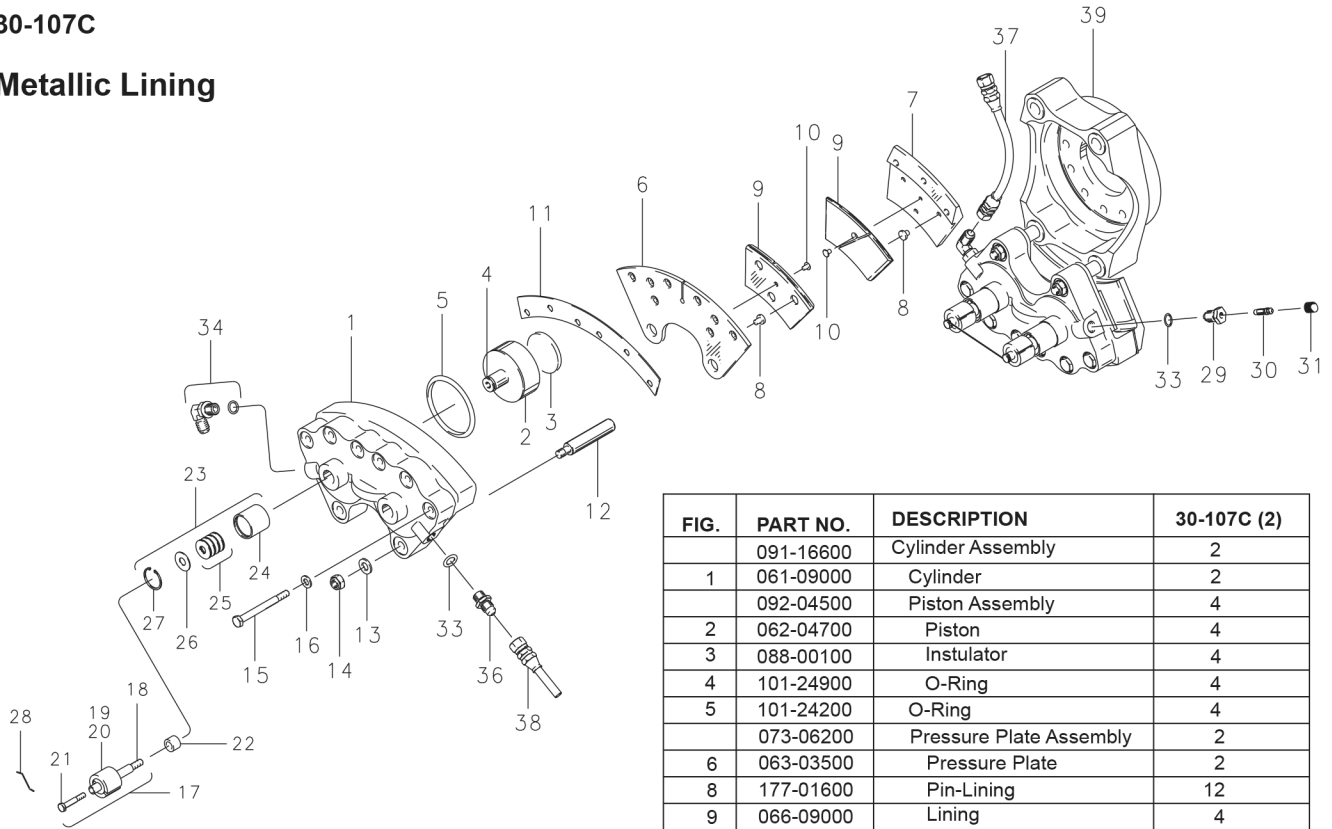


FIG.	PART NO.	DESCRIPTION	30-107C (2)
	091-16600	Cylinder Assembly	2
1	061-09000	Cylinder	2
	092-04500	Piston Assembly	4
2	062-04700	Piston	4
3	088-00100	Insulator	4
4	101-24900	O-Ring	4
5	101-24200	O-Ring	4
	073-06200	Pressure Plate Assembly	2
6	063-03500	Pressure Plate	2
8	177-01600	Pin-Lining	12
9	066-09000	Lining	4
10	105-00200	Rivet	4
	074-04700	Back Plate Assembly	4
7	064-03200	Back Plate	4
8	177-01600	Pin-Lining	12
9	066-09000	Lining	4
10	105-00200	Rivet	4
11	068-03300	Shim-Insulator	2
12	069-01200	Anchor Bolt	4
13	095-10500	Washer (AN960-516)	4
14	094-10400	Nut (MS21044-N5)	4
15	103-14500	Bolt	12
16	095-10400	Washer (AN960-416)	12
17	139-13100	Stud Assembly	4
18	139-12900	Stud	4
19	139-12700	Friction Sleeve	4
20	139-12800	Friction Sleeve	4
21	103-01300	Bolt	4
22	067-08000	Spacer	4
23	139-13300	Cup Assembly	4
24	139-13400	Cup	4
25	095-03700	Disc Spring	32
26	095-03600	Washer	4
27	155-08200	Snap Ring	4
28	-----	Lockwire (MS20995C32)	AR
29	081-00200	Seat-Bleeder	1
30	079-00300	Screw-Bleeder	1
31	183-00100	Cap-Bleeder	1
33	101-24600	O-Ring	2
34	104-03100	Fitting (1)	2
36	104-04900	Fitting	1
37	207-01100	Hose Assembly Link	1
38	207-01300	Hose Assembly Inlet	1
39	075-13400	Torque Plate Assembly	1

NOTES:

- (1) O-ring is part of Fitting Assy.
For replacement O-ring, order P/N 101-24600.
- (2) Refer to SB7098 for inspection of brake pistons.