

30-164

Metallic Lining

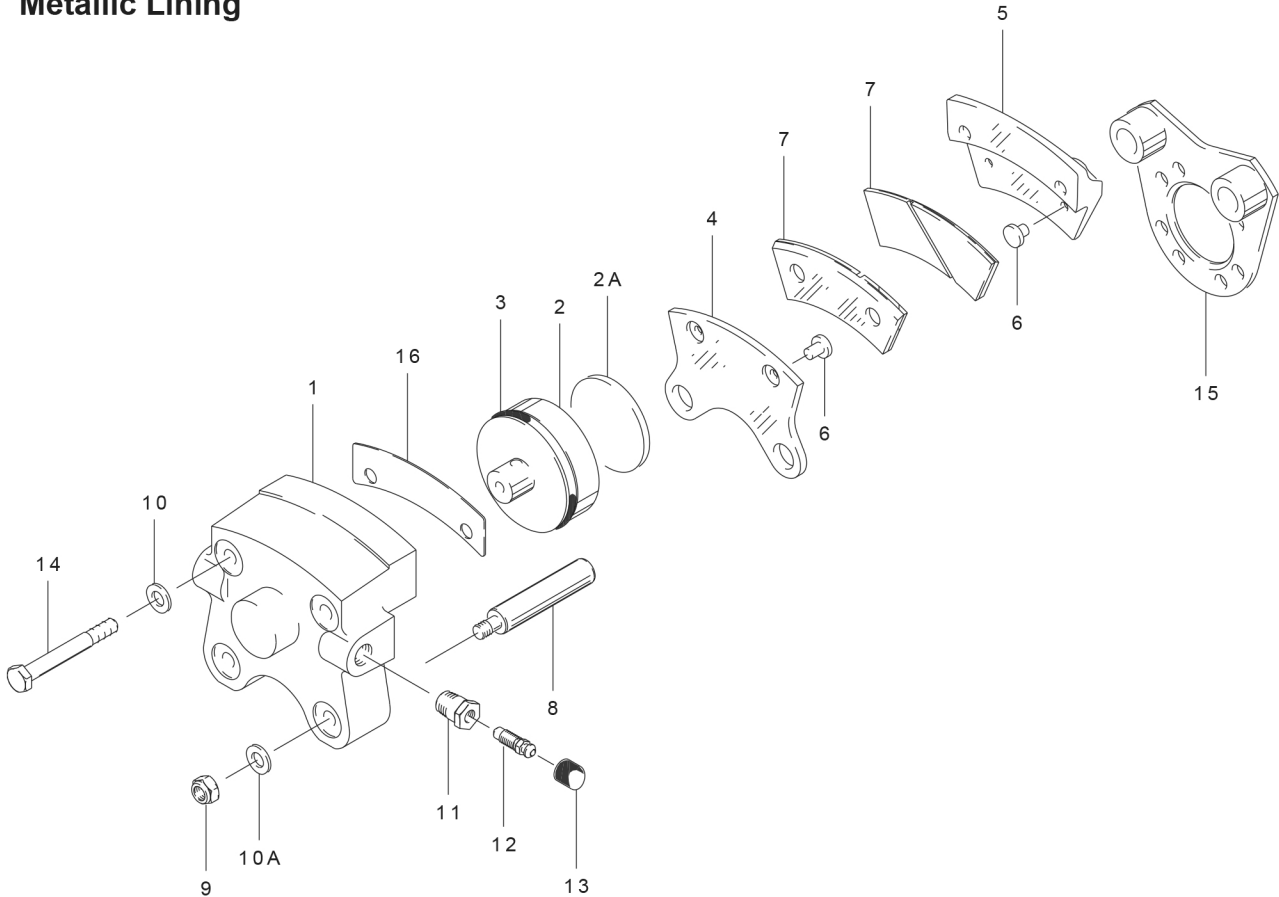


FIG.	PART NO.	DESCRIPTION	30-164 (1) (2)
	091-15800	Cylinder Assembly	1
1	061-09600	Cylinder	1
	092-08100 (2)	Piston Assembly	1
2	062-09800	Piston	1
2A	088-00100	Insulator	1
3	101-02300	O-Ring (MS28775-224)	1
	073-07200	Pressure Plate Assy	1
4	063-01200	Pressure Plate	1
6	177-00300	Pin	2
7	066-06200	Lining	1
	074-05600	Back Plate Assy	1
5	064-00500	Back Plate	1
6	177-00300	Pin	2
7	066-06200	Lining	1
8	069-00400	Anchor Bolt	2
9	094-10300	Nut (MS21044-N4)	2
10	095-10400	Washer (AN960-416)	2
10A	095-10200	Washer (AN960-416L)	2
11	081-00100	Seat-Bleeder	1
12	079-00300	Screw-Bleeder	1
13	183-00100	Cap-Bleeder	1
14	103-11700	Bolt	2
15	075-00800	Torque Plate Assy	1
16	068-05300 (2)	Shim, Insulator	1

NOTES:

- (1) Metallic lining.
- (2) 199-214 Insulator Kit retrofits brake to add insulator shims and pistons.