

30-176

Organic Lining

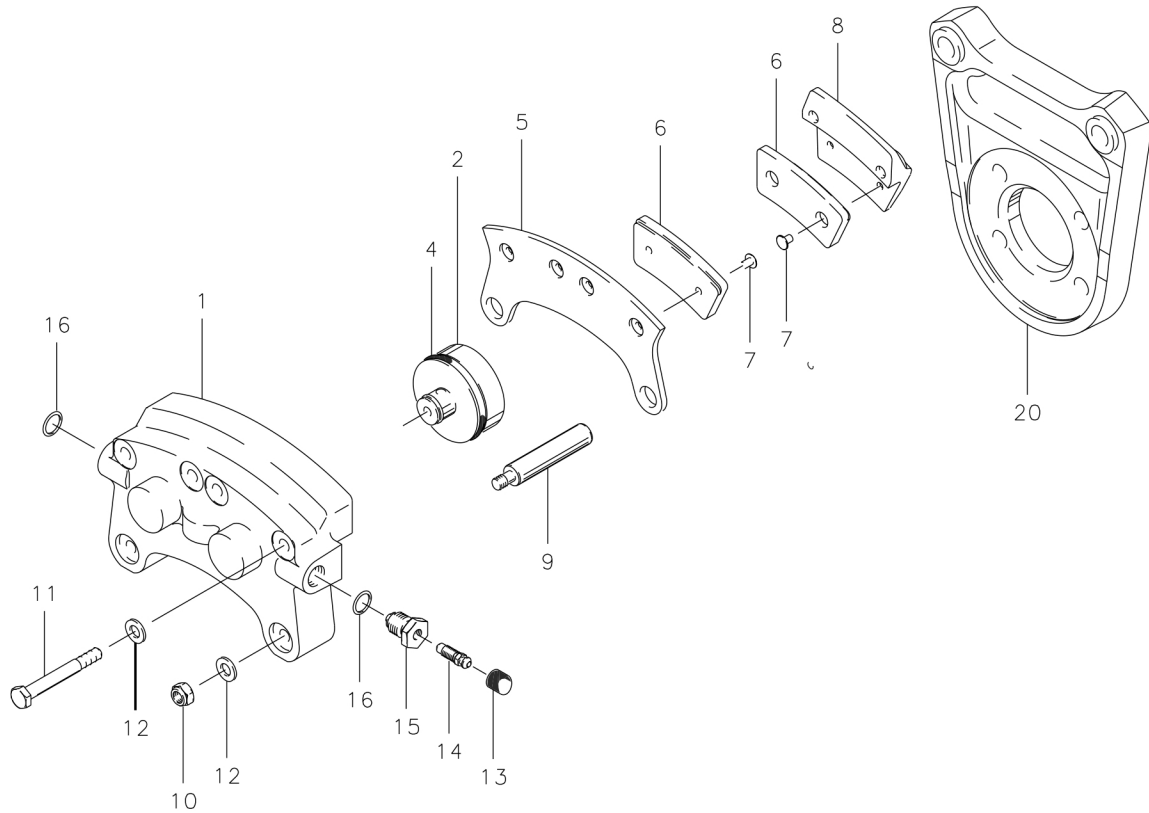


FIG.	PART NO.	DESCRIPTION	30-176
	091-03100	Cylinder Assembly	1
1	061-02900	Cylinder	1
	092-01600	Piston Assembly	2
2	062-01500	Piston	2
4	101-02700	O-Ring (MS28775-222)	2
	073-01500	Pressure Plate Assembly	1
5	063-01500	Pressure Plate	1
6	066-10800	Lining	2
7	105-00200	Rivet	4
	074-01300	Back Plate Assembly	2
8	064-01600	Back Plate	2
6	066-10800	Lining	2
7	105-00200	Rivet	4
9	069-00400	Anchor Bolt	2
10	094-10300	Nut (MS21044-N4)	2
11	103-11600	Bolt	4
12	095-10400	Washer (AN960-416)	6
13	183-00100	Cap-Bleeder	1
14	079-00300	Screw-Bleeder	1
15	081-00200	Seat-Bleeder	1
16	101-00700	O-Ring (MS28775-012)	1
20	075-07200	Torque Plate Assembly	1