

30-239

Organic Lining

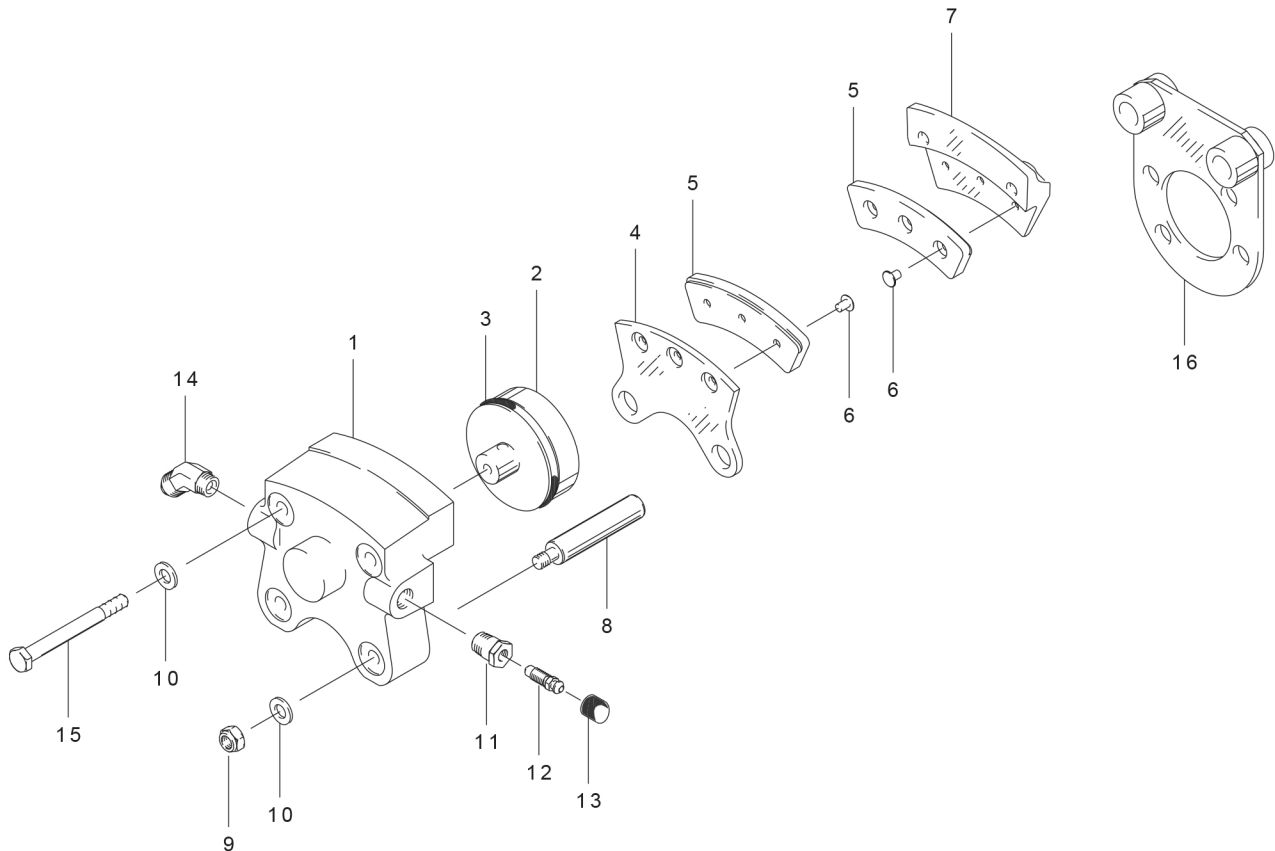


FIG.	PART NO.	DESCRIPTION	30-239 (1)
	091-21500	Cylinder Assembly	1
1	061-16200	Cylinder	1
2	062-08001	Piston	1
3	101-05200	O-Ring (MS28775-224)	1
	073-11200	Pressure Plate Assembly	1
4	063-09800	Pressure Plate	1
5	066-14100	Lining	1
6	105-00200	Rivet	3
	074-07700	Back Plate Assembly	1
7	064-00500	Back Plate	1
5	066-14100	Lining	1
6	105-00200	Rivet	3
8	069-01900	Anchor Bolt	2
9	094-10300	Nut (MS21044-N4)	2
10	095-10200	Washer (AN960-416L)	4
11	081-00100	Seat-Bleeder	1
12	079-00300	Screw-Bleeder	1
13	183-00100	Cap-Bleeder	1
14	104-00500	Fitting (MS20823-4D)	1
15	103-12300	Bolt	2
16	(1)	Torque Plate Assembly	1

NOTES:

(1) Uses 075-20100 Torque Plate Assy. for left hand brake and 075-20150 for right hand brake.