

30-52

Organic Lining

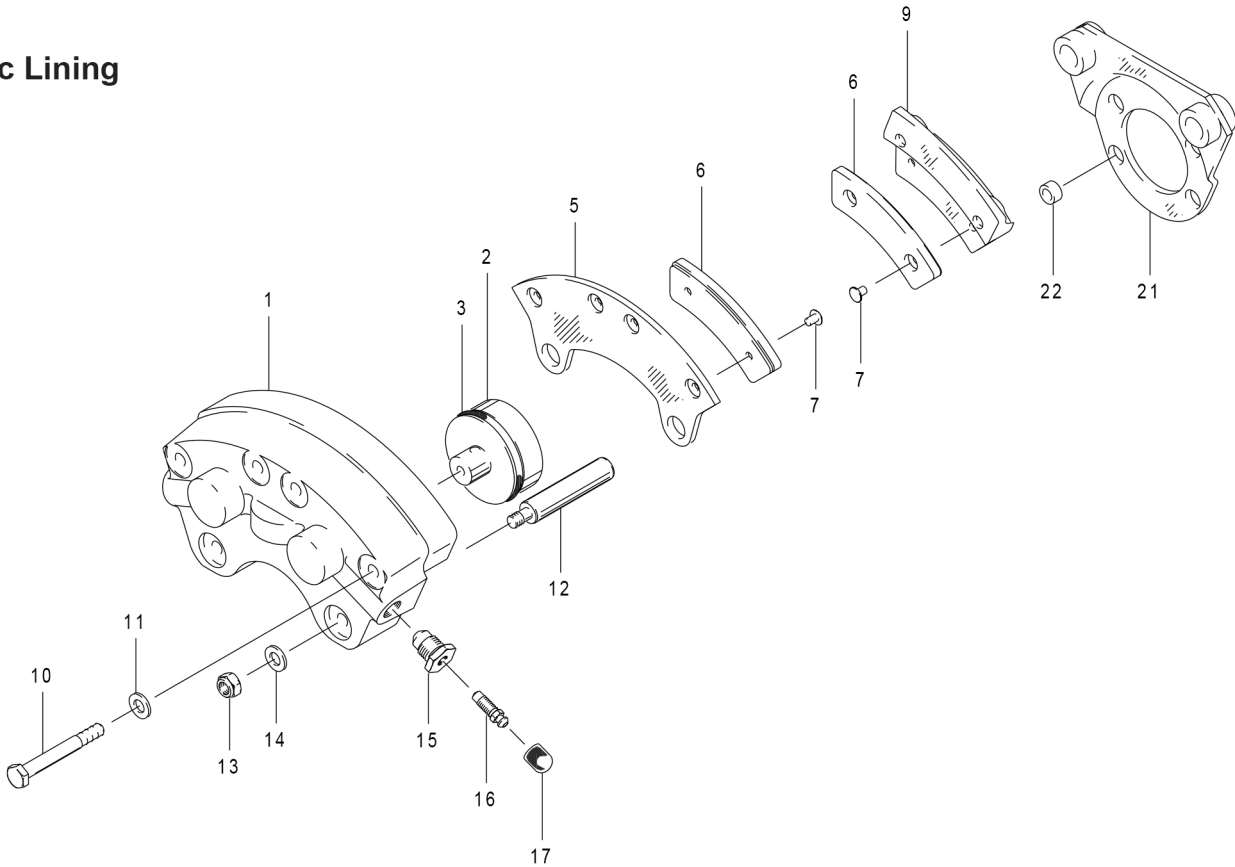


FIG.	PART NO.	DESCRIPTION	30-52
1	091-02100	Cylinder Assembly	1
	061-01800	Cylinder	1
	092-01600	Piston Assembly	2
2	062-01500	Piston	2
3	101-02700	O-Ring (MS28775-222)	2
4	073-01000	Pressure Plate Assy	1
5	063-01100	Pressure Plate	1
6	066-10500	Lining	2
7	105-00200	Rivet	4
8	074-01000	Back Plate Assy	2
9	064-01500	Back Plate	2
6	066-10500	Lining	2
7	105-00200	Rivet	4
10	103-11800	Bolt	4
11	095-10400	Washer (AN960-416)	4
12	069-00400	Anchor Bolt	2
13	094-10300	Nut (MS21044-N4)	2
14	095-10200	Washer (AN960-416L)	2
15	081-00100	Seat-Bleeder	1
16	079-00300	Screw-Bleeder	1
17	183-00100	Cap-Bleeder	1
21	075-01500	Torque Plate Assembly	1
22	145-01000	Bushing	2

Cleveland

Wheels & Brakes

AIRCRAFT
WHEEL & BRAKE™
BY KAMAN

Aircraft Wheel & Brake
Avon, Ohio, USA