

30-54B

Organic Lining

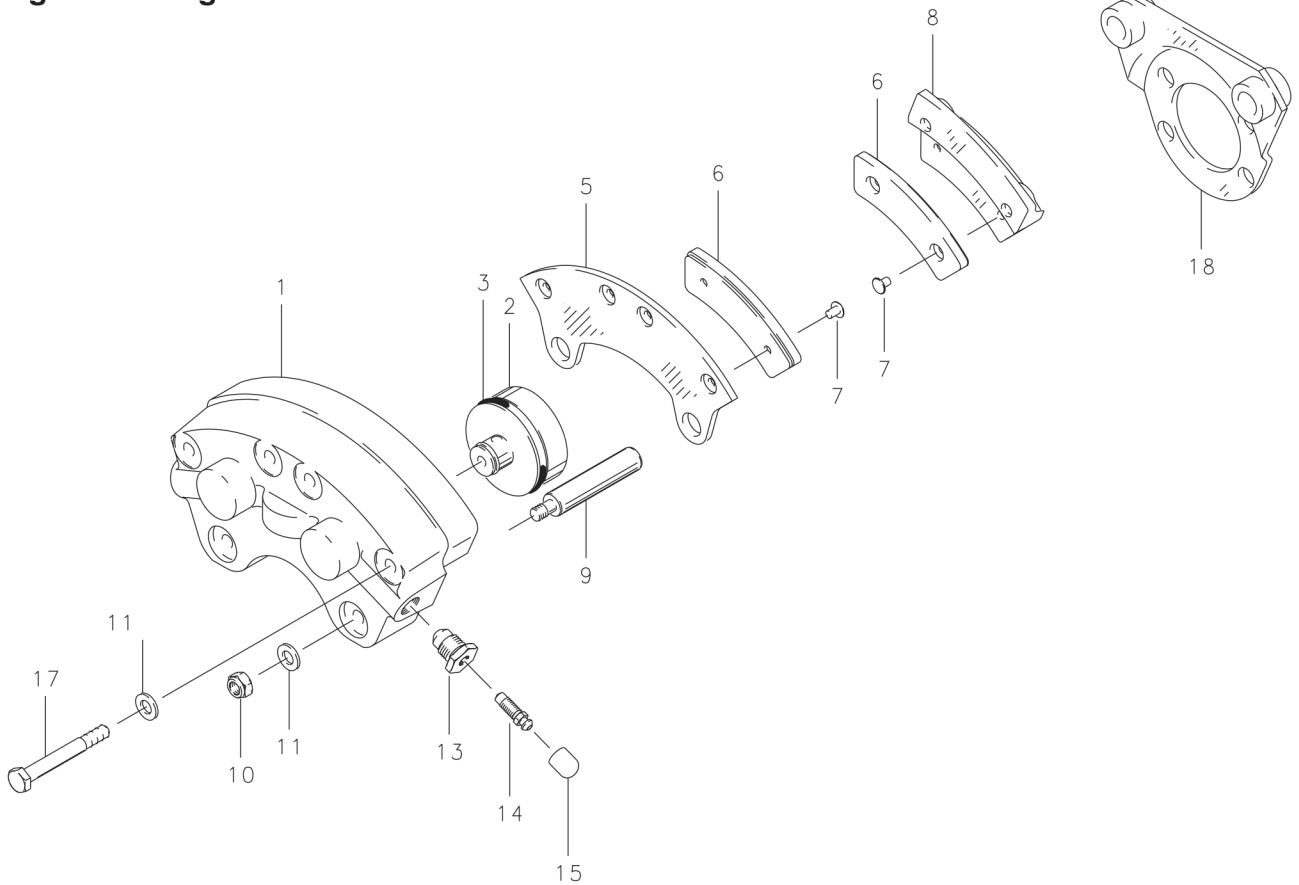


FIG.	PART NO.	DESCRIPTION	30-54B
	091-09200	Cylinder Assembly	1
1	061-02400	Cylinder	1
	092-01600	Piston Assembly	2
2	062-01500	Piston	2
3	101-02700	O-Ring (MS28775-222)	2
	073-04200	Pressure Plate Assembly	1
5	063-01100	Pressure Plate	1
6	066-10500	Lining	2
7	105-00200	Rivet	4
	074-03500	Back Plate Assembly	2
8	064-01500	Back Plate	2
6	066-10500	Lining	2
7	105-00200	Rivet	4
9	069-00400	Anchor Bolt	2
10	094-10300	Nut (MS21044-N4)	2
11	095-10200	Washer (AN960-416L)	6
13	081-00100	Seat-Bleeder	1
14	079-00300	Screw-Bleeder	1
15	183-00100	Cap-Bleeder	1
17	103-11800	Bolt	4
18	075-12600	Torque Plate Assembly	1