

30-56A

Organic Lining

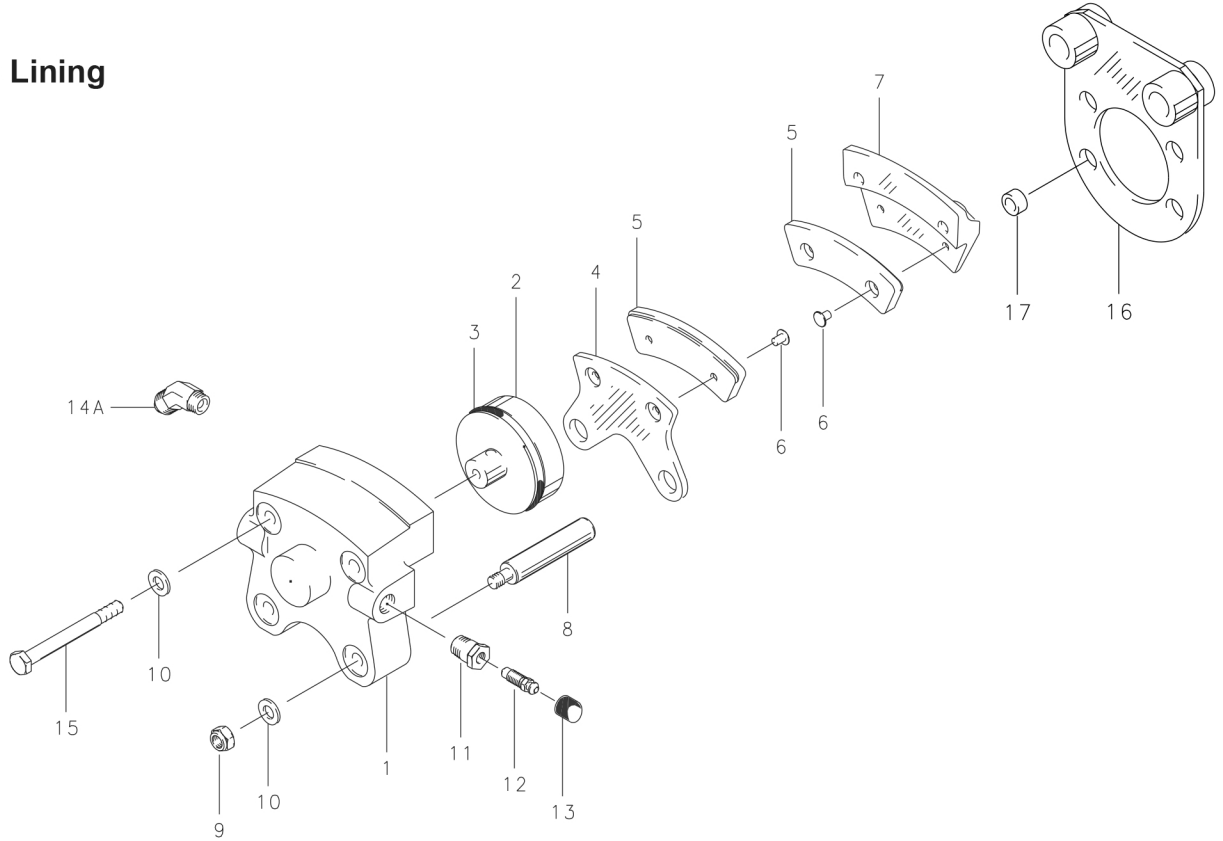


FIG.	PART NO.	DESCRIPTION	30-56A
	091-15900	Cylinder Assy.	1
1	061-01900	Cylinder	1
	092-01700	Piston Assy.	1
2	062-01600	Piston	1
3	101-05200	O-Ring (MS28775-224)	1
	073-03600	Pressure Plate Assy.	1
4	063-01200	Pressure Plate	1
5	066-10500	Lining	1
6	105-00200	Rivet	2
	074-02900	Back Plate Assy.	1
7	064-01500	Back Plate	1
5	066-10500	Lining	1
6	105-00200	Rivet	2
8	069-00400	Anchor Bolt	2
9	094-10300	Nut (MS21044-N4)	2
10	095-10200	Washer (AN960-416L)	4
11	081-00100	Seat-Bleeder	1
12	079-00300	Screw-Bleeder	1
13	183-00100	Cap-Bleeder	1
14A	104-00500	Fitting (MS20823-4D)	1
15	103-12300	Bolt (AN4H17A)	2
16	075-01600	Torque Plate Assy.	1