

Illustrated Parts List

Brake Assembly – 10” External Dual Cylinder, Dual Piston

30-67E

Organic Lining

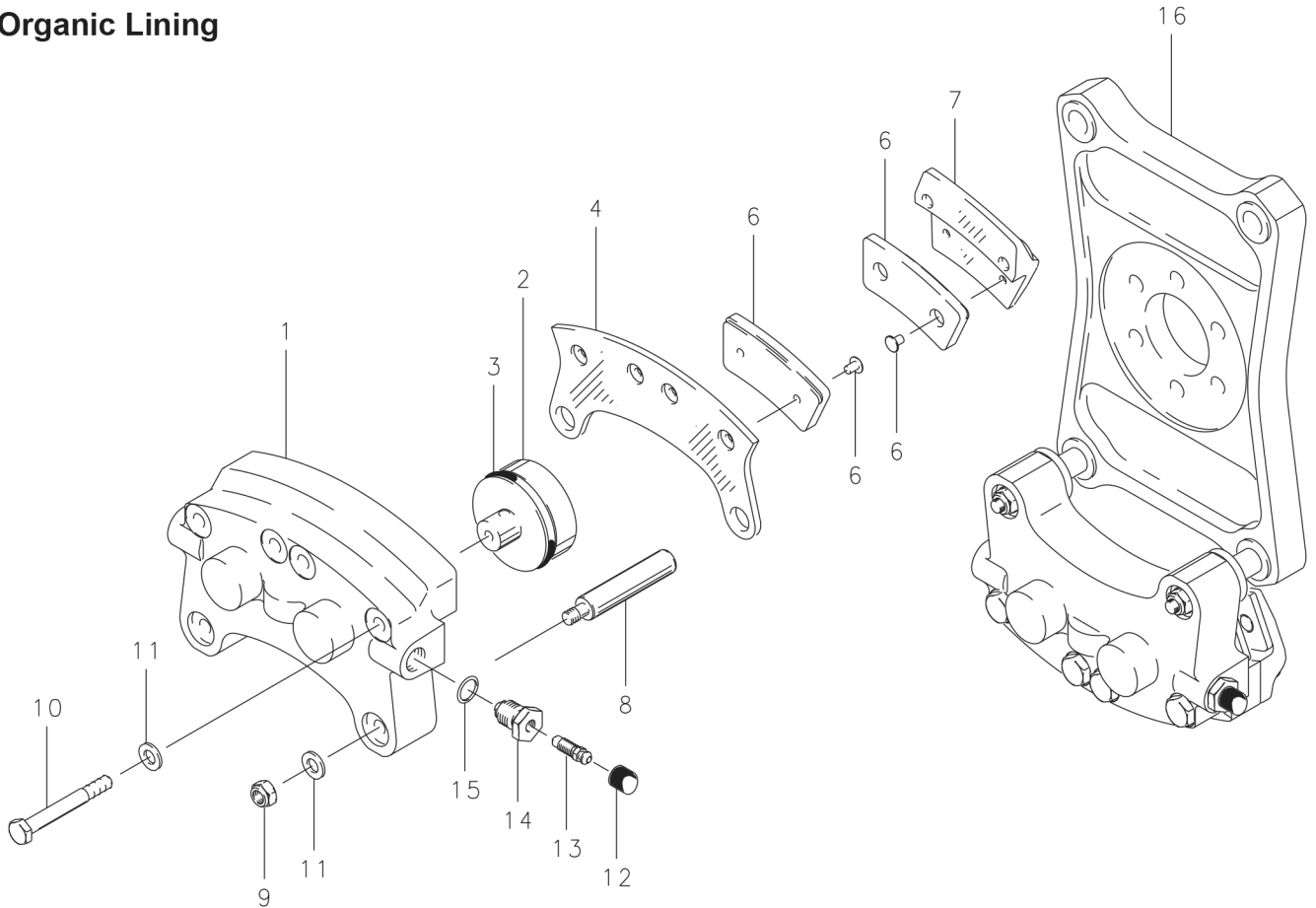


FIG.	PART NO.	DESCRIPTION	30-67E
	091-03000	Cylinder Assy.	2
1	061-02800	Cylinder	2
	092-01600	Piston Assy.	4
2	062-01500	Piston	4
3	101-02700	O-Ring (MS28775-222)	4
	073-01500	Pressure Plate Assy.	2
4	063-01500	Pressure Plate	2
5	066-10800	Lining	4
6	105-00200	Rivet	8
	074-01300	Back Plate Assy.	4
7	064-01600	Back Plate	4
5	066-10800	Lining	4
6	105-00200	Rivet	8
8	069-00400	Anchor Bolt	4
9	094-10300	Nut (MS21044-N4)	4
10	103-11700	Bolt	8
11	095-10400	Washer (AN960-416)	12
12	183-00100	Cap-Bleeder	2
13	079-00300	Screw-Bleeder	2
14	081-00200	Seat-Bleeder	2
15	101-00700	O-Ring (MS28775-012)	2
16	075-15800	Torque Plate Assy.	1