

Illustrated Parts List

30-68

Metallic Lining

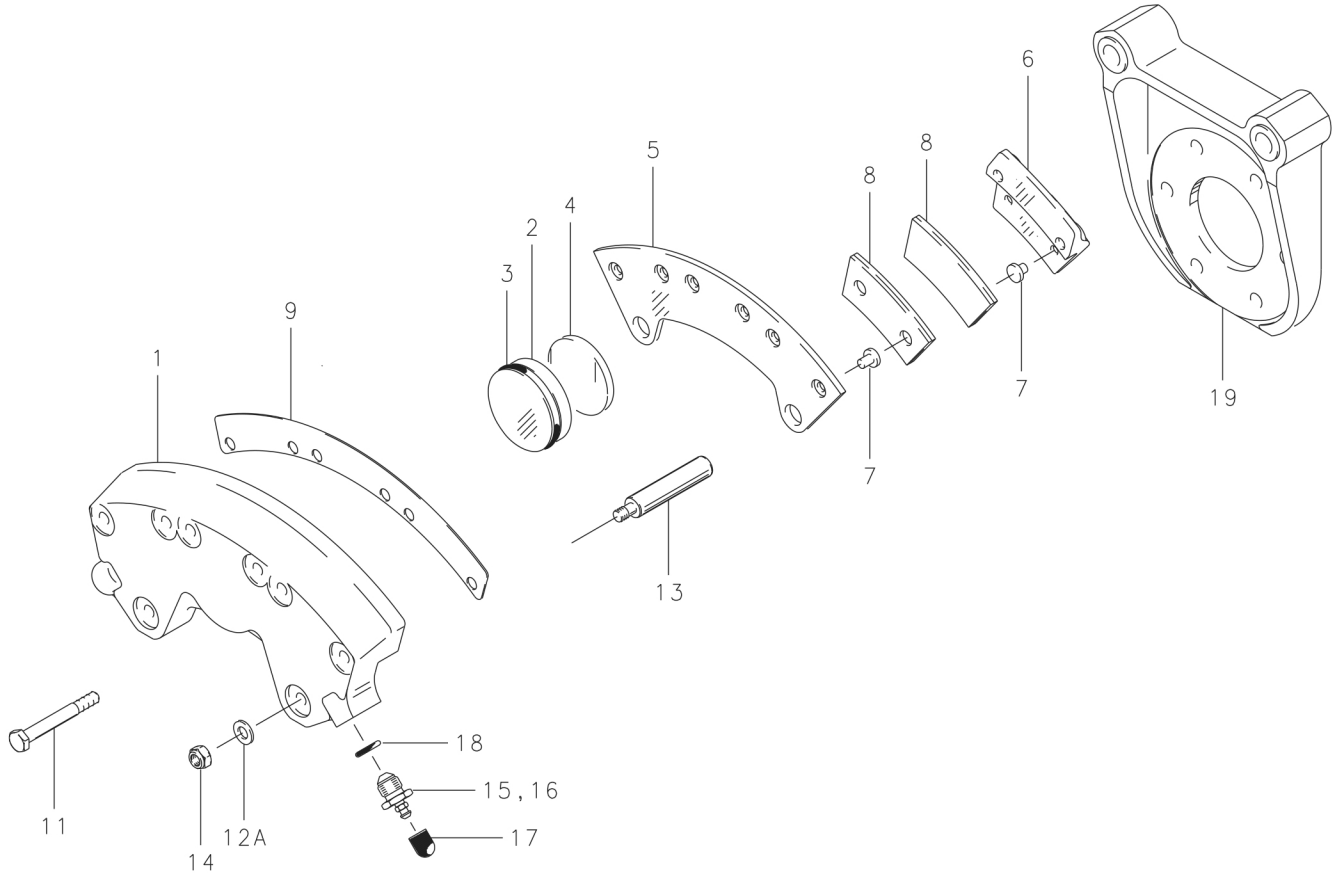


FIG.	PART NO.	DESCRIPTION	30-68
	091-01100	Cylinder Assembly	1
1	061-03400	Cylinder	1
	092-00800	Piston Assembly	3
2	062-00700	Piston	3
3	101-02700	O-Ring (MS28775-222)	3
4	088-00100	Insulator	3
	073-00500	Pressure Plate Assembly	1
5	063-00700	Pressure Plate	1
7	177-00400	Pin	6
	074-00500	Back Plate Assembly	3
6	064-02700	Back Plate	3
7	177-00400	Pin	6
8	066-03300	Lining	6
9	068-01600	Shim-Back Plate	1
11	103-12100	Bolt (AN4H15A)	6
12A	095-10200	Washer (AN960-416L)	8
13	069-00400	Anchor Bolt	2
14	094-10300	Nut (MS21044-N4)	2
15	081-00200	Seat-Bleeder	1
16	079-00300	Screw-Bleeder	1
17	183-00100	Cap-Bleeder	1
18	101-00700	O-Ring (MS28775-012)	1
19	075-04300	Torque Plate Assembly	1