

# Illustrated Parts List

# Brake Assembly – 8” External Single Cylinder, Dual Piston

30-69B

## Metallic Lining

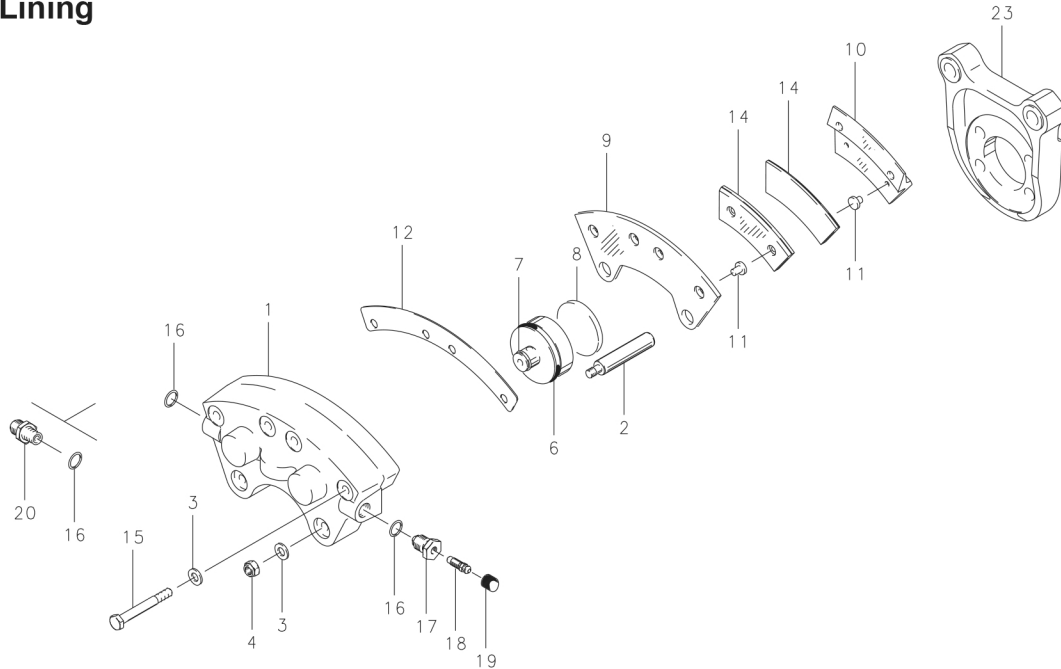


FIG.	PART NO.	DESCRIPTION	30-69B
	091-04200	Cylinder Assembly	1
1	061-02200	Cylinder	1
2	069-00400	Anchor Bolt	2
3	095-10200	Washer (AN960-416L)	6
4	094-10300	Nut (MS21044-N4)	2
	092-02000	Piston Assembly	2
	062-01800	Piston	2
6	101-02700	O-Ring (MS28775-222)	2
7	082-02000	Spring-Friction	2
8	088-00100	Insulator	2
	073-01300	Pressure Plate Assembly	1
9	063-01400	Pressure Plate	1
11	177-00300	Pin-Lining	4
	074-01200	Back Plate Assembly	2
10	064-01700	Back Plate	2
11	177-00300	Pin-Lining	4
12	068-01700	Shim-Insulator	1
14	066-02200	Lining	4
15	103-11700	Bolt	4
16	101-00700	O-Ring (MS28775-012)	2
17	081-00200	Seat-Bleeder	1
18	079-00300	Screw-Bleeder	1
19	183-00100	Cap-Bleeder	1
20	104-00200	Fitting (AN815-4D)	1
23	075-05700	Torque Plate Assembly	1