

30-74B

Metallic Lining

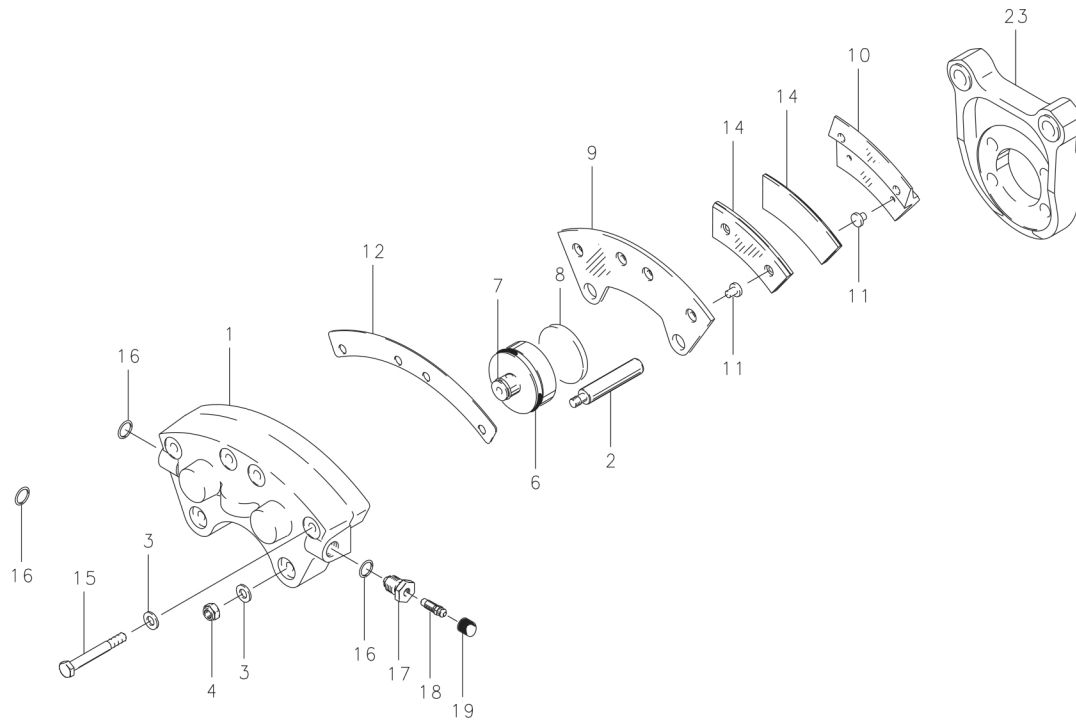


FIG.	PART NO.	DESCRIPTION	30-74B
	091-13200	Cylinder Assembly	1
1	061-06100	Cylinder	1
	069-01900	Anchor Bolt	2
	095-10200	Washer (AN960-416L)	6
	094-10300	Nut (MS21044-N4)	2
	092-02000	Piston Assembly	2
	062-01800	Piston	2
	101-02700	O-Ring (MS28775-222)	2
	082-02000	Spring-Friction	2
	088-00100	Insulator	2
	073-03300	Pressure Plate Assembly	1
	063-02900	Pressure Plate	1
	177-00300	Pin-Lining	4
	074-02800	Back Plate Assembly	2
	064-01700	Back Plate	2
	177-00300	Pin-Lining	4
	068-01700	Shim-Insulator	1
	066-06700	Lining	4
	103-11600	Bolt	4
	101-00700	O-Ring (MS28775-012)	1
	081-00200	Seat-Bleeder	1
	079-00300	Screw-Bleeder	1
	183-00100	Cap-Bleeder	1
	075-12000	Torque Plate Assembly	1