

30-93E

Metallic Lining

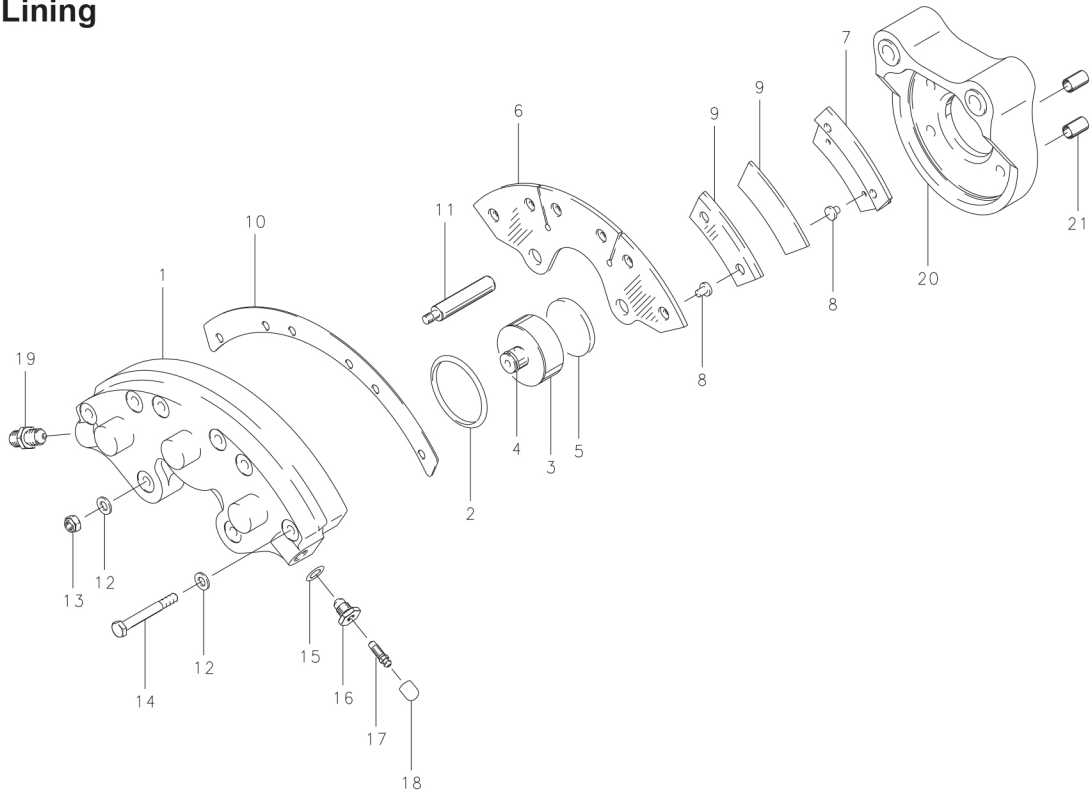


FIG.	PART NO.	DESCRIPTION	30-93E
	091-19600	Cylinder Assembly	1
1	061-14900	Cylinder	1
2	101-23200	O-Ring (MS28775-132)	3
	092-02800	Piston Assembly	3
3	062-02600	Piston	3
4	082-02000	Friction Ring	3
5	088-00100	Insulator	3
	073-02500	Pressure Plate Assembly	1
6	063-02400	Pressure Plate	1
8	177-00300	Pin	6
	074-01200	Back Plate Assembly	3
7	064-01700	Back Plate	3
8	177-00300	Pin	6
9	066-04400	Lining	6
10	068-02700	Shim-Insulator	1
11	069-02500	Anchor Bolt	2
12	095-10200	Washer (AN960-416L)	2
	095-14600	Washer (MS14144-4)	6
13	094-10300	Nut (MS21044-N4)	2
14	103-85500	Bolt (MS28775-012)	6
15	101-00700	O-Ring (MS28775-012)	2
16	081-00200	Seat-Bleeder	1
17	079-00300	Screw-Bleeder	1
18	183-00100	Cap-Bleeder	1
19	104-02200	Fitting (AN919-2D)	1
20	075-18700	Torque Plate Assembly	1
21	145-13600	Bushing	2