

30-98C

Organic Lining

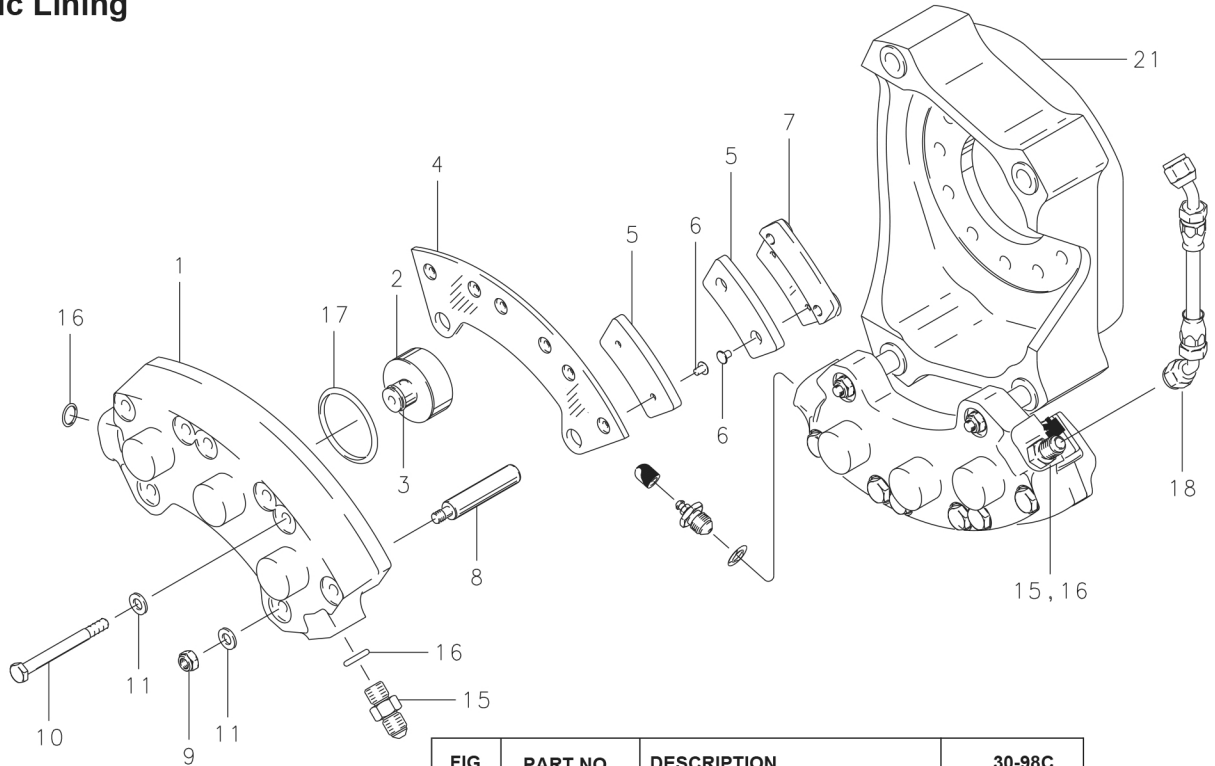


FIG.	PART NO.	DESCRIPTION	30-98C
	091-07900	Cylinder Assy.	2
1	061-06000	Cylinder	2
	092-03300	Piston Assy.	6
2	062-03100	Piston	6
3	082-02000	Friction Spring	6
	073-03000	Pressure Plate Assy.	2
4	063-01300	Pressure Plate	2
5	066-10800	Lining	6
6	105-00200	Rivet	12
	074-02200	Back Plate Assy.	6
7	064-01600	Back Plate	6
5	066-10800	Lining	6
6	105-00200	Rivet	12
8	069-00400	Anchor Bolt	4
9	094-10300	Nut (MS21044-N4)	4
10	103-11800	Bolt	12
11	095-10400	Washer (AN960-416)	16
12	183-00100	Cap-Bleeder	1
13	079-00300	Screw-Bleeder	1
14	081-00200	Seat-Bleeder	1
15	104-00200	Fitting (AN815-4D)	2
16	101-00700	O-Ring (MS28775-012)	3
17	101-50128	O-Ring (MS28775-128)	6
18	207-00600	Hydraulic Line Assy.-Inlet	1
21	075-11902	Torque Plate Assy.	1