

30-28B

Metallic Lining

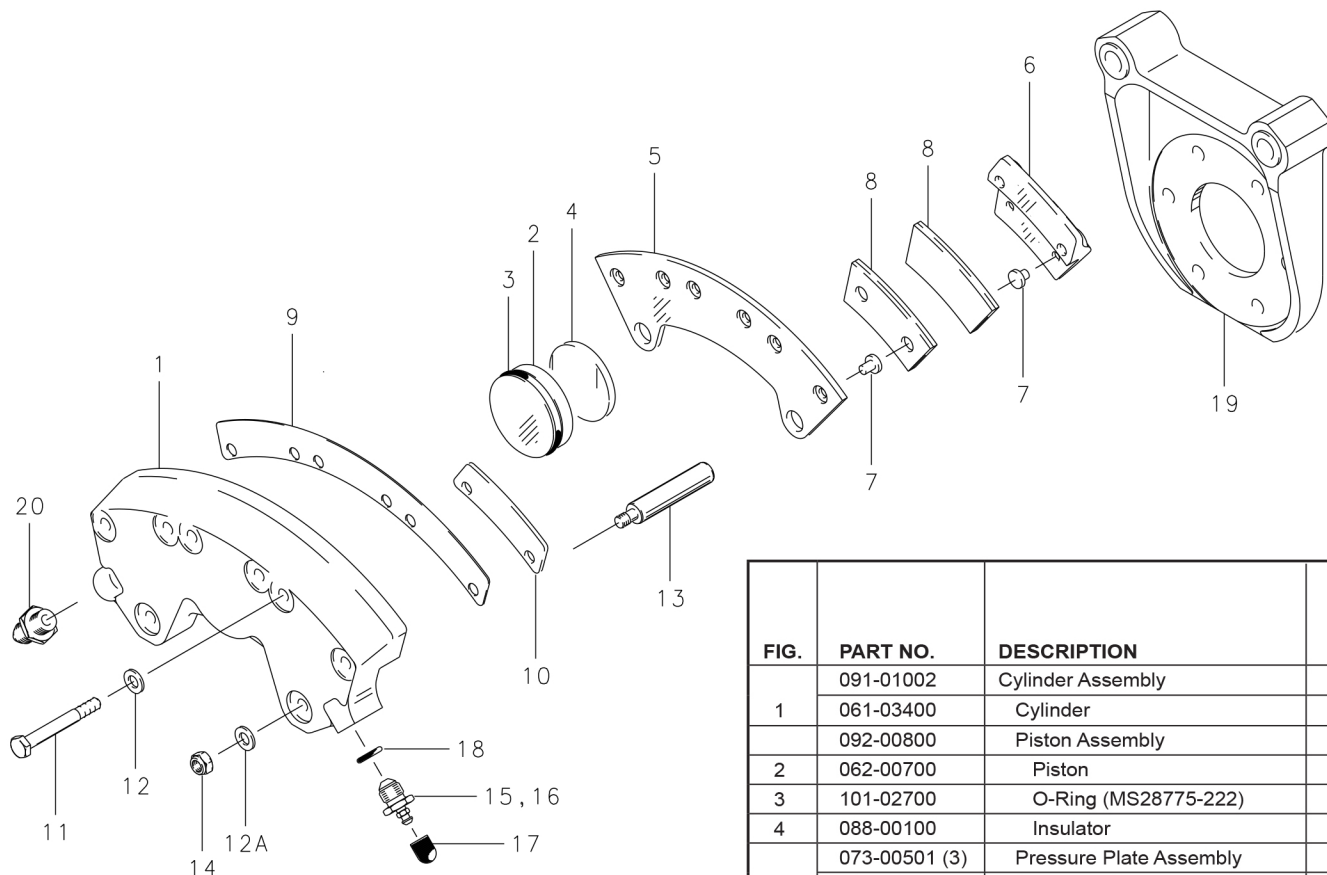


FIG.	PART NO.	DESCRIPTION	30-28B
1	091-01002	Cylinder Assembly	1
	061-03400	Cylinder	
2	092-00800	Piston Assembly	3
	062-00700	Piston	3
3	101-02700	O-Ring (MS28775-222)	3
4	088-00100	Insulator	3
	073-00501 (3)	Pressure Plate Assembly	1
	073-00500	Pressure Plate Assembly	1
5	063-00700	Pressure Plate	1
7	177-00400	Pin	6
	074-00501 (3)	Back Plate Assembly	3
	074-00500	Back Plate Assembly	3
6	064-02700	Back Plate	3
7	177-00400	Pin	6
8	066-03300	Lining	6
9	068-01600	Shim-Back Plate	1
11	103-12000	Bolt	6
12	095-10400	Washer (AN960-416)	6
12A	095-10200	Washer (AN960-416L)	2
13	069-00400	Anchor Bolt	2
14	094-10300	Nut (MS21044-N4)	2
15	081-00200	Seat-Bleeder	1
16	079-00300	Screw-Bleeder	1
17	183-00100	Cap-Bleeder	1
18	101-00700	O-Ring (MS28775-012)	1
20	104-00200	Fitting (AN815-4D)	
19	075-01902	Torque Plate Assembly	1