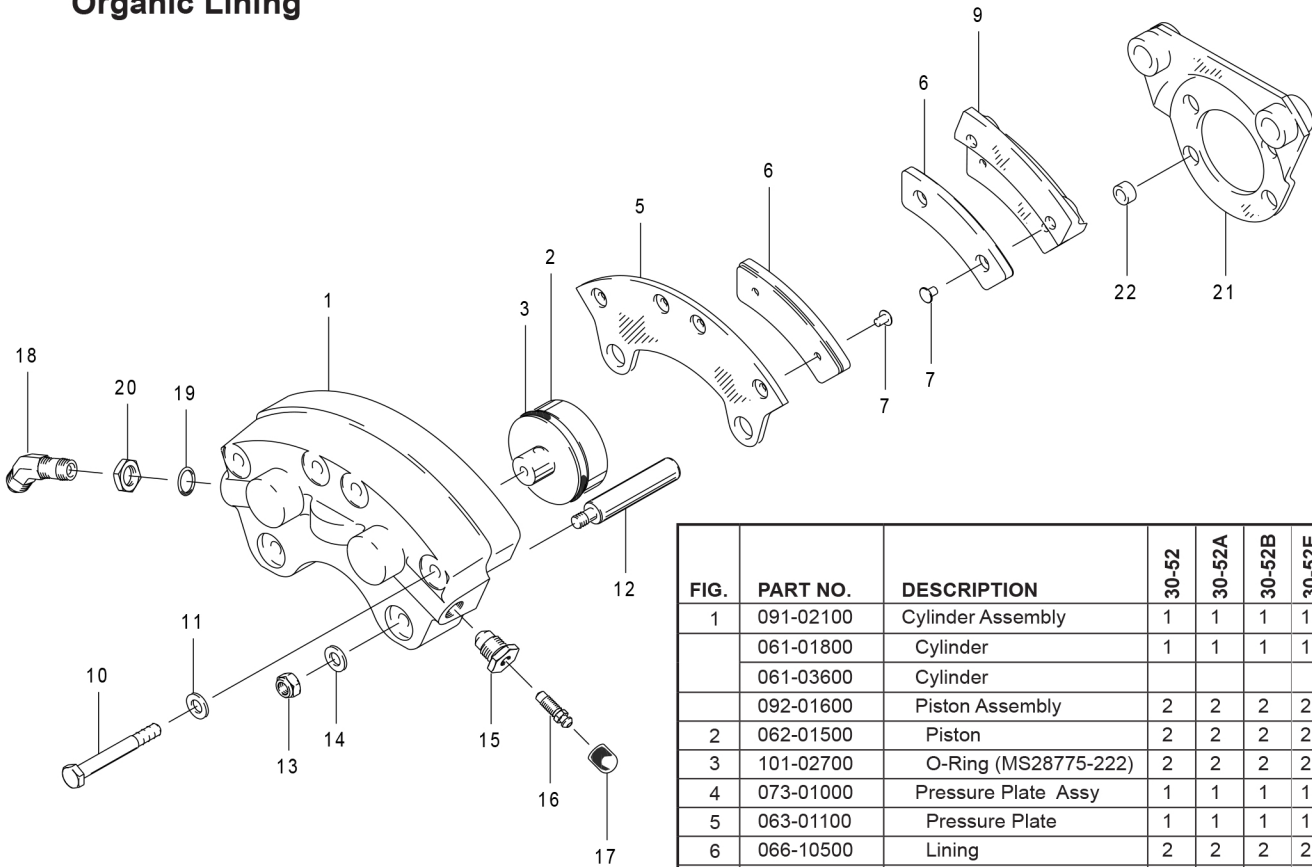


30-52, 30-52A, 30-52B, 30-52D, 30-52E, 30-52F, 30-52G, 30-52H, 30-52K 30-52L, 30-52M, 30-52N
 Organic Lining



NOTES:

- (1) Use with 075-11700(LH) and 075-11750(RH) Torque Plates.
- (2) 30-52 supersedes 30-52G.
- (3) When reordering, specify LH or RH.
- (4) 30-52N supersedes 30-52D when reordering.
- (5) Use with 075-07500(LH) and 075-07600(RH) Torque Plates – order from airframe manufacturer only.
- (6) Inactive assembly – spares support only for parts listed.
- (7) Inactive part – no longer available for spares support.

FIG.	PART NO.	DESCRIPTION	30-52	30-52A	30-52B	30-52E	30-52F	30-52K	30-52L
1	091-02100	Cylinder Assembly	1	1	1	1	1		
	061-01800	Cylinder	1	1	1	1	1	1	
	061-03600	Cylinder							1
	092-01600	Piston Assembly	2	2	2	2	2	2	2
2	062-01500	Piston	2	2	2	2	2	2	2
3	101-02700	O-Ring (MS28775-222)	2	2	2	2	2	2	2
4	073-01000	Pressure Plate Assy	1	1	1	1	1	1	1
5	063-01100	Pressure Plate	1	1	1	1	1	1	1
6	066-10500	Lining	2	2	2	2	2	2	2
7	105-00200	Rivet	4	4	4	4	4	4	4
8	074-01000	Back Plate Assy	2	2	2	2	2	2	2
9	064-01500	Back Plate	2	2	2	2	2	2	2
6	066-10500	Lining	2	2	2	2	2	2	2
7	105-00200	Rivet	4	4	4	4	4	4	4
10	103-11800	Bolt	4	4	4	4	4	4	
	103-12400	Bolt (AN4H21A)							4
11	095-10400	Washer (AN960-416)	4	4	4	4	4	4	4
12	069-00400	Anchor Bolt	2	2	2	2	2	2	2
13	094-10300	Nut (MS21044-N4)	2	2	2	2	2	2	2
14	095-10200	Washer (AN960-416L)	2	2	2	2	2	2	2
15	081-00100	Seat-Bleeder	1	1	1	1	1	1	
	081-00200	Seat-Bleeder							1
16	079-00300	Screw-Bleeder	1	1	1	1	1	1	1
17	183-00100	Cap-Bleeder	1	1	1	1	1	1	1
18	104-00500	Fitting (MS20823-4D)		1					
	104-02000	Fitting (AN837-4D)							1
19	101-00700	O-Ring (MS28775-012)							1
20	094-90500	Nut (AN924-4D)							1
	075-01500	Torque Plate Assembly	1						
	075-01501	Torque Plate Assembly		1					
21	075-04400	Torque Plate Assembly			1				
	075-05300	Torque Plate Assembly					1		
	075-05301	Torque Plate Assembly				1			
	075-13600	Torque Plate Assembly						1	
22	145-01000	Bushing	2					2	