

40-101

Tube-Type

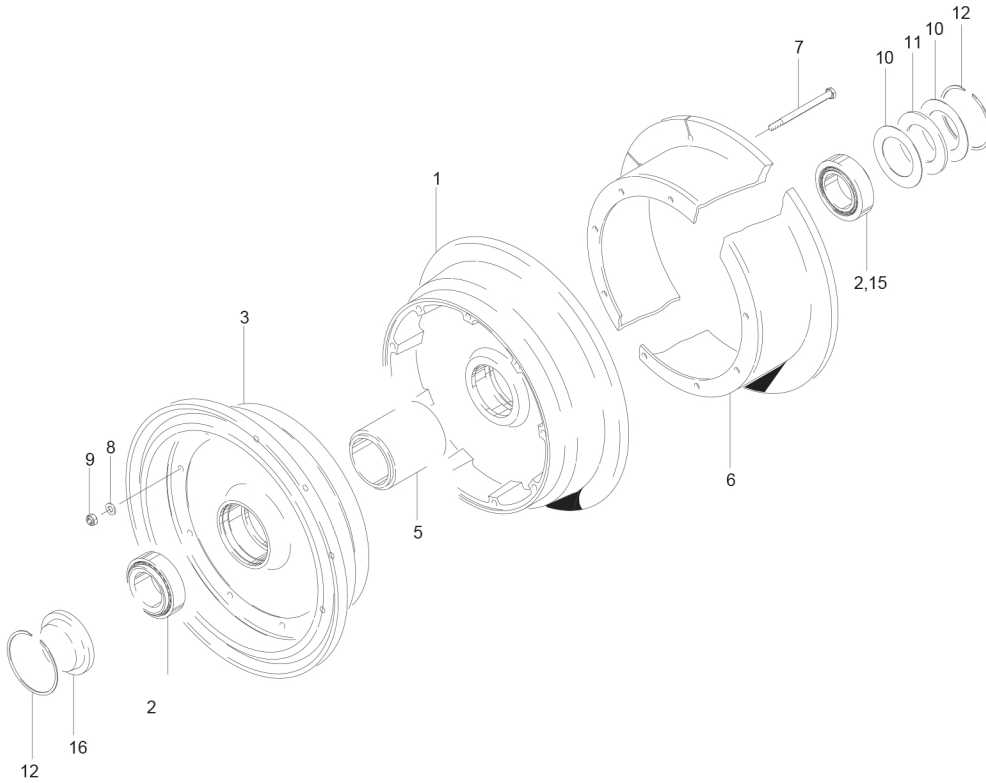


FIG.	PART NO.	DESCRIPTION	40-101
1	161-03600	Inner Wheel Half Assembly	1
2	214-01300	Cup-Bearing	1
3	162-03400	Outer Wheel Half Assembly	1
2	214-01300	Cup-Bearing	1
5	067-06300	Spacer	1
6	164-03006	Brake Disc	1
7	103-11300	Bolt (AN4-40A)	9
8	095-10400	Washer (AN960-416)	9
9	094-10300	Nut (MS21044-N4)	9
10	153-00900	Ring-Grease Seal	2
11	154-01400	Felt-Grease Seal	1
12	155-00100	Snap Ring	2
15	214-01400	Cone-Bearing	2
16	158-00300	Hub Cap	1