

40-102

Tube-Type

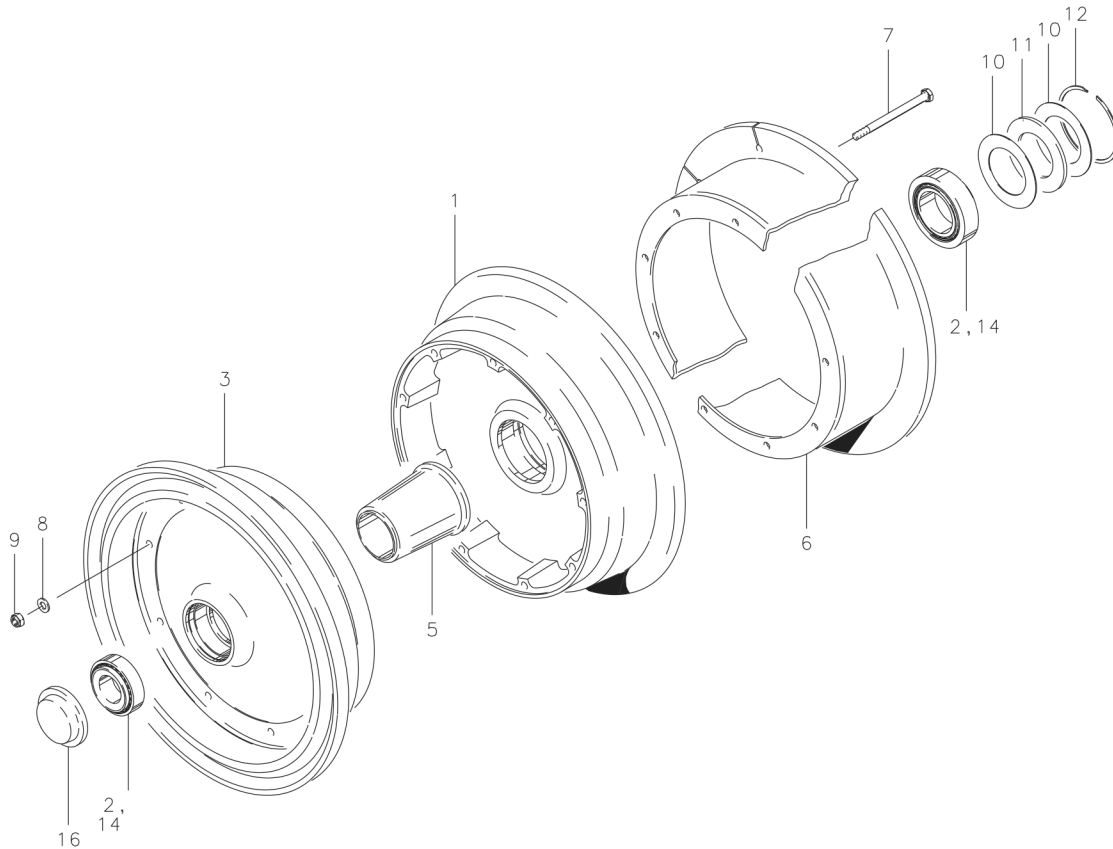


FIG.	PART NO.	DESCRIPTION	40-102
1	161-01900	Inner Wheel Half Assy.	1
2	214-01300	Cup-Bearing	1
3	162-03500	Outer Wheel Half Assy.	1
2	214-01300	Cup-Bearing	1
5	067-12000	Spacer	1
6	164-03506	Brake Disc	1
7	103-11400	Bolt (AN4-32A)	9
8	095-10400	Washer (AN960-416)	9
	095-10200	Washer (AN960-416L)	9
9	094-10300	Nut (MS21044-N4)	9
10	153-01600	Ring-Grease Seal	2
11	154-01600	Felt-Grease Seal	1
12	155-00100	Snap Ring	2
14	214-01400	Cone-Bearing	2
16	158-00300	Hub Cap	1