

40-111A

Tube-Type

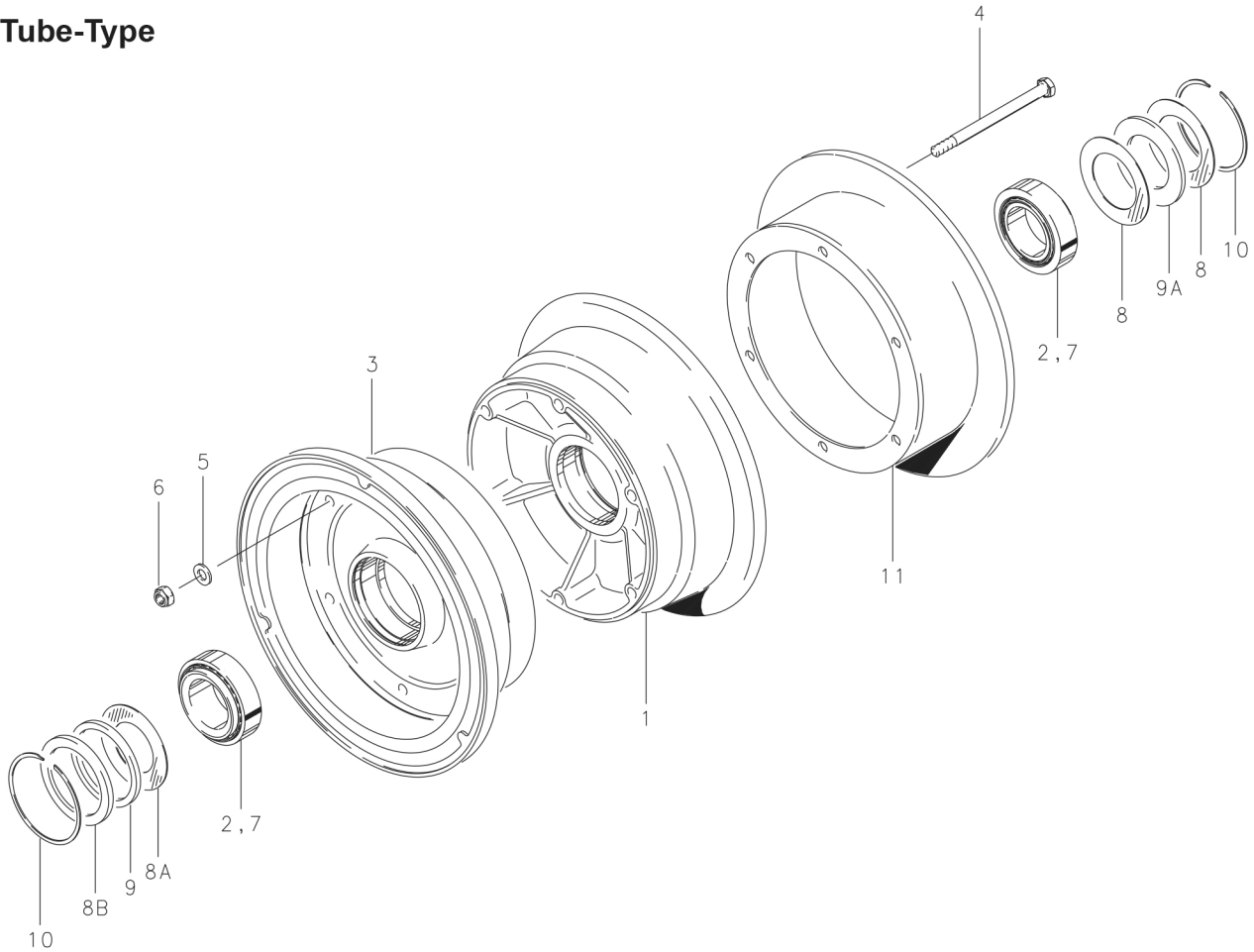


FIG.	PART NO.	DESCRIPTION	40-111A
1	161-06401	Inner Wheel Half Assy.	1
2	214-00100	Cup-Bearing	1
3	162-06001	Outer Wheel Half Assy.	1
2	214-00100	Cup-Bearing	1
4	103-20400	Bolt (AN5-35A)	6
5	095-10500	Washer (AN960-516)	6
6	094-10400	Nut (MS21044-N5)	6
7	214-00200	Cone-Bearing	2
8	153-00900	Ring-Grease Seal	2
8A	153-00300	Ring-Grease Seal	1
8B	153-01500	Ring-Grease Seal	1
9	154-01300	Felt-Grease Seal	1
9A	154-01400	Felt-Grease Seal	1
10	155-00100	Snap Ring	2
11	164-06506	Brake Disc	1
	067-03400	Axle Spacer (not shown)	1