

40-113A

Tube-Type

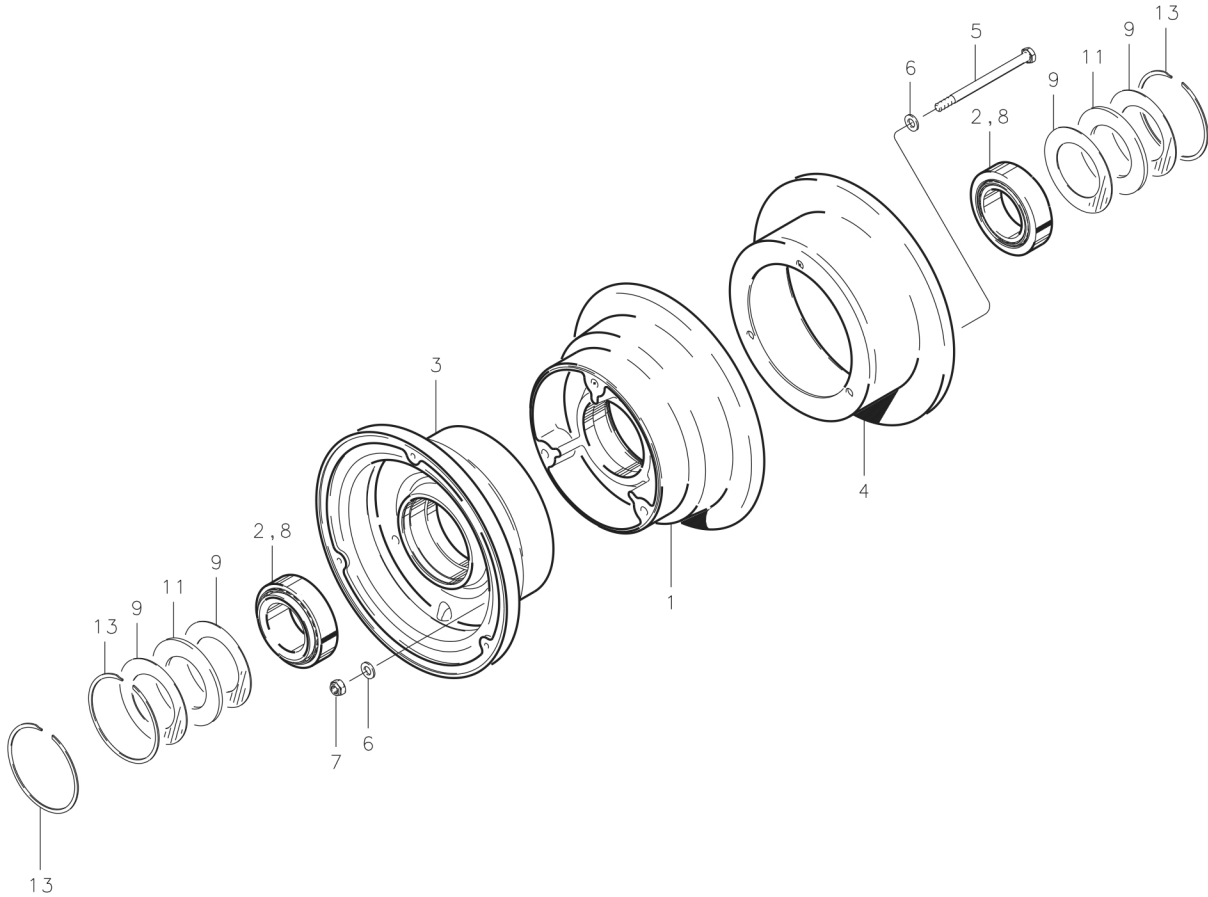


FIG.	PART NO.	DESCRIPTION	40-113A (2)
1	161-04900	Inner Wheel Half Assembly	1
2	214-00100	Cup-Bearing	1
3	162-04700	Outer Wheel Half Assembly	1
2	214-00100	Cup-Bearing	1
4	164-04300	Brake Disc	1
	164-14300 (1)	Brake Disc - Chrome	1
	(3)	Brake Disc - Performance Gold	1
5	103-11000	Bolt (AN4-36A)	3
6	095-10400	Washer (AN960-416)	6
7	094-10300	Nut (MS21044-N4)	3
8	214-00200	Cone-Bearing	2
9	153-00900	Ring-Grease Seal	4
11	154-00800	Felt-Grease Seal	2
13	155-00100	Snap Ring	2

NOTES:

- (1) Alternate chrome plated disc.
- (2) Also available with chrome plated disc. To order, specify assembly number followed by "CHROME."
- (3) Performance gold disc no longer available.