

40-131

Tube-Type

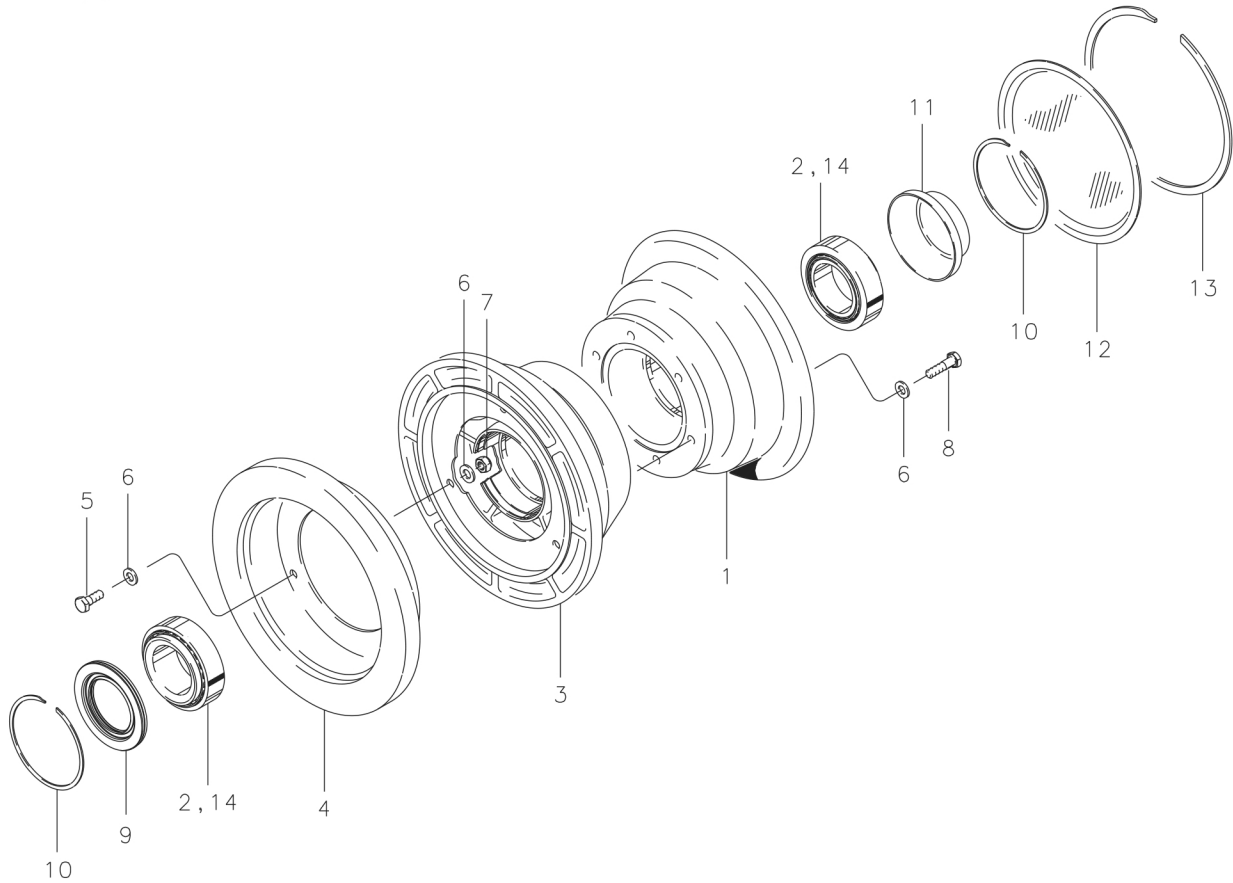


FIG.	PART NO.	DESCRIPTION	40-131 (1)
1	162-00700	Outer Wheel Half Assembly	1
2	214-00100	Cup-Bearing	1
3	161-06900	Inner Wheel Half Assembly	1
2	214-00100	Cup-Bearing	1
4	164-05700	Brake Disc	1
5	103-10100	Bolt (AN4H-5A)	3
6	095-10400	Washer (AN960-416)	6
7	094-10301	Nut (MS21045-4S)	3
8	103-10200	Bolt (AN4-6A)	6
6	095-10400	Washer (AN960-416)	6
9	154-12000	Grease Seal	1
10	155-00100	Snap Ring	2
11	158-00300	Hub Cap	1
12	157-00400	Dust Shield	1
13	155-00300	Snap Ring	1
14	214-00200	Cone-Bearing	2

NOTES:

(1) To obtain inner wheel half assy with disc & hardware, order 161-05800