

40-152

Tube-Type

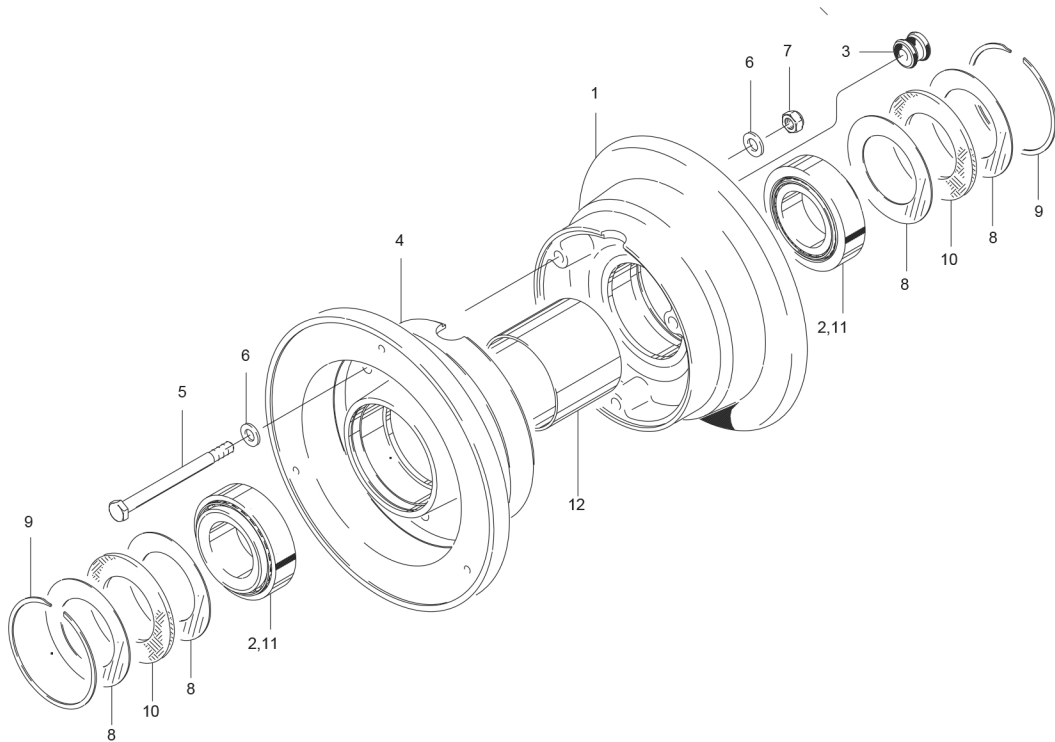


FIG.	PART NO.	DESCRIPTION	40-152
1	162-05300	Outer Wheel Half Assembly	1
2	214-00300	Cup-Bearing	1
3	217-00100	Grommet	1
4	161-05500	Inner Wheel Half Assembly	1
2	214-00300	Cup-Bearing	1
5	103-10500	Bolt (AN4-22A)	3
6	095-10400	Washer (AN960-416)	6
7	094-01200	Nut (NAS21042-4)	3
8	153-00100	Ring-Grease Seal	4
9	155-00200	Snap Ring	2
10	154-00100	Felt-Grease Seal	2
11	214-00400	Cone-Bearing	2
12	067-04900	Spacer	1