

40-167

Tube-Type Tires

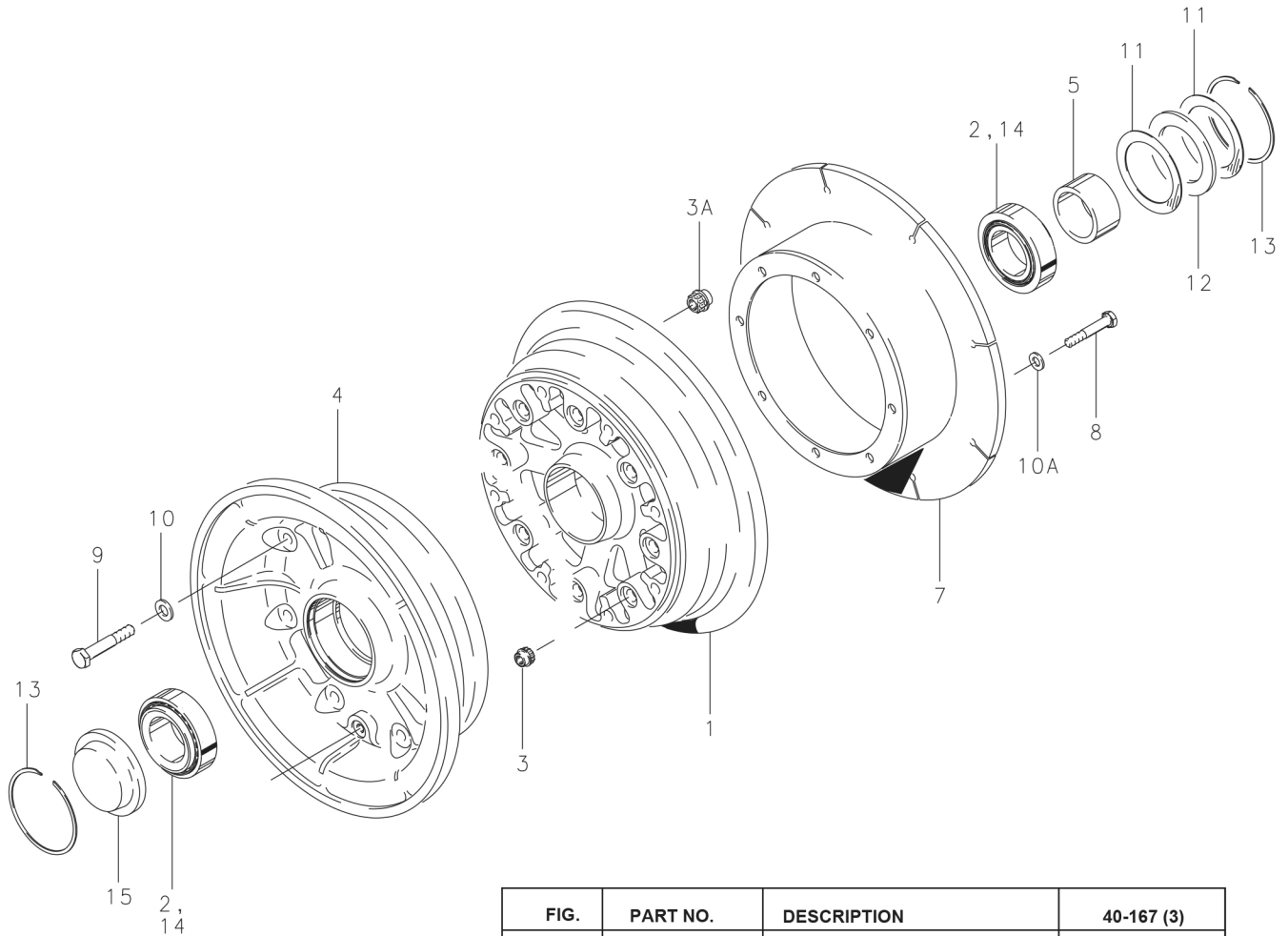


FIG.	PART NO.	DESCRIPTION	40-167 (3)
	161-08000	Inner Wheel Half Assy. (2)	1
1	161-10100	Inner Wheel Half Assy. (1)	1
2	214-02900	Cup-Bearing	1
3	094-00600	Spline-Nut	8
3A	094-00800	Spline-Nut	8
4	162-09600	Outer Wheel Half Assy.	1
2	214-02900	Cup-Bearing	1
5	067-03900	Spacer	1
7	164-20600	Brake Disc (Slotted)	1
8	103-20300	Bolt (AN5-15A)	8
9	103-31100	Bolt (AN6-20A)	8
10	095-10600	Washer (AN960-616)	8
10A	095-10700	Washer (AN960-516L)	8
11	153-01900	Ring-Grease Seal	2
12	154-02600	Felt-Grease Seal	1
13	155-04400	Snap Ring	2
14	214-02800	Cone-Bearing	2
15	158-01300	Hub Cap	1

NOTES:

- (1) Inner wheel half assy. with disc.
- (2) Inner wheel half assy. without disc.
- (3) Use tube-type tires.