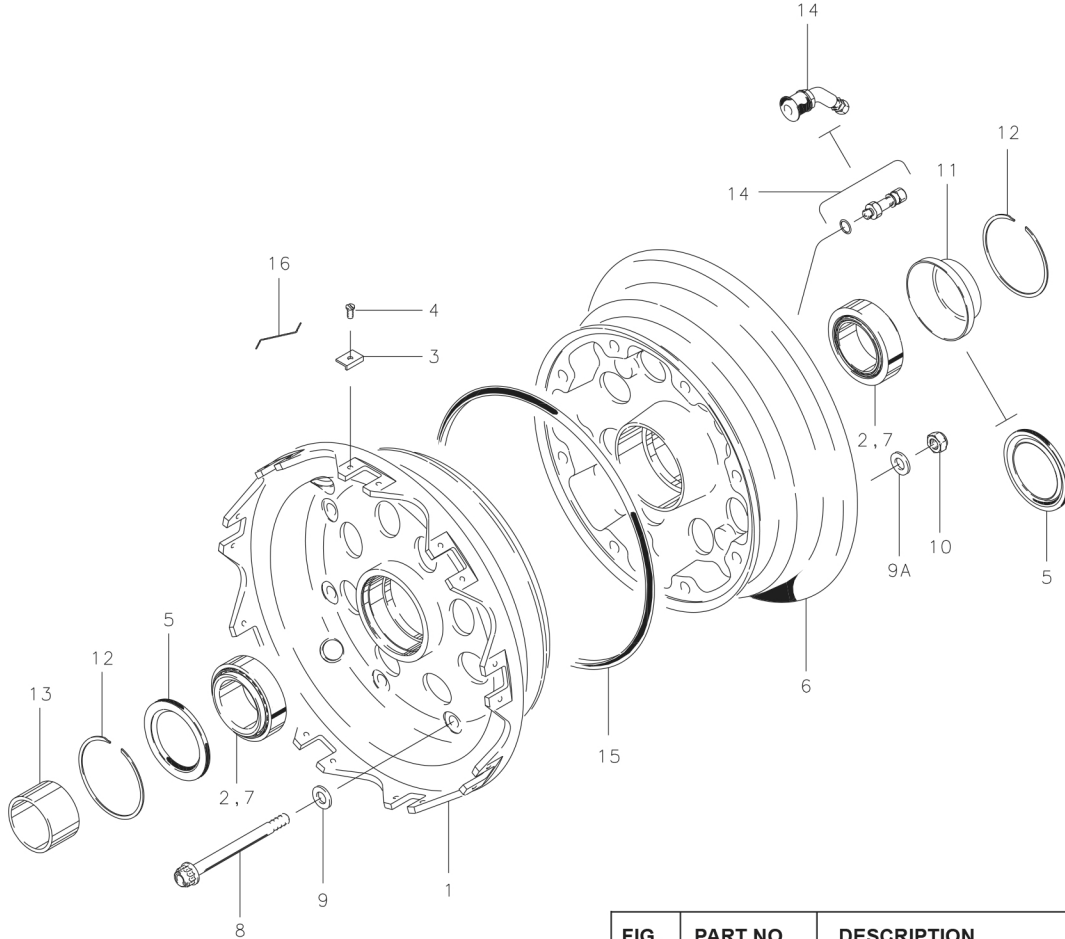


40-203

Tubeless/Tube-Type



NOTES:  
(1) Tubeless only.

| FIG. | PART NO.  | DESCRIPTION            | 40-176 (1) |
|------|-----------|------------------------|------------|
| 1    | 161-11600 | Inner Wheel Half Assy. | 1          |
| 2    | 214-02900 | Cup-Bearing            | 1          |
| 3    | 205-00600 | Key Drive              | 18         |
| 4    | 102-07700 | Screw (AN501A10-4)     | 18         |
| 5    | 154-03400 | Molded Grease Seal     | 1          |
| 6    | 162-10600 | Outer Wheel Half Assy. | 1          |
| 7    | 214-02900 | Cup-Bearing            | 1          |
| 7    | 214-02800 | Cone-Bearing           | 2          |
| 8    | 103-31200 | Bolt (MS21250-06034)   | 8          |
| 9    | 095-03100 | Washer (MS20002C6)     | 8          |
| 9A   | 095-10600 | Washer (AN960-616)     | 8          |
| 10   | 094-91500 | Nut (MS21045-6S)       | 8          |
| 11   | 158-01300 | Hub Cap                | 1          |
| 12   | 155-04400 | Snap Ring              | 2          |
| 13   | 067-03900 | Spacer                 | 1          |
| 14   | 160-00700 | Air Valve Assembly     | 1          |
| 15   | 101-25800 | O-Ring (MS28775-267)   | 1          |
| 16   | 139-16600 | Lockwire (MS20995-C32) | A/R        |