

40-270

Tubeless

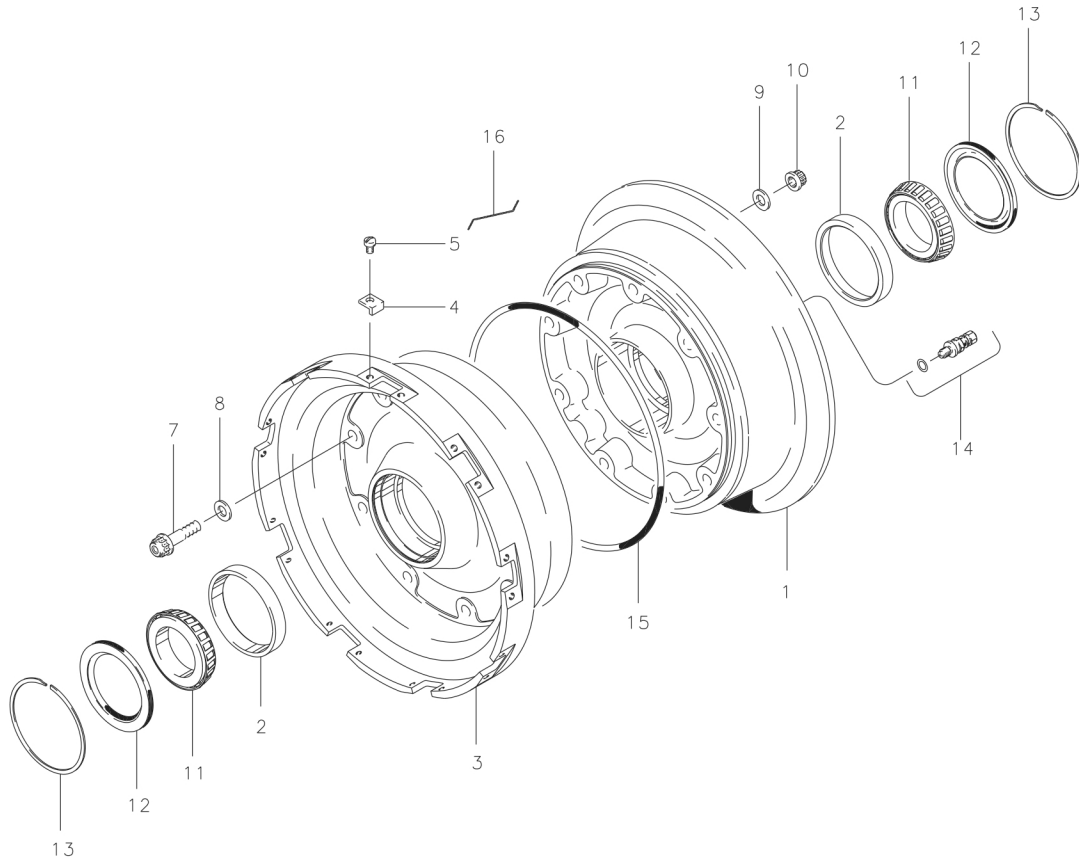


FIG.	PART NO.	DESCRIPTION	40-270
1	162-17100	Outer Wheel Half Assembly	1
2	214-00100	Cup-Bearing	1
3	161-17100	Inner Wheel Half Assembly	1
2	214-00100	Cup-Bearing	1
4	205-02900	Drive Key	18
5	102-07700	Screw (MS35266-59)	18
7	103-24500	Bolt (MS21250-05032)	9
8	095-02800	Washer (MS20002C5)	9
9	095-13600	Washer (MS20002-5)	9
10	094-13200	Nut	9
11	214-00200	Cone-Bearing	2
12	154-03600	Molded Grease Seal	2
13	155-00100	Snap Ring	2
14	160-01900	Air Valve Assy (MS27436C1)	1
15	101-26600	O-Ring (MS28775-261)	1
16	139-16600	Lockwire (MS20995C32)	A/R