

40-407

Tube-Type

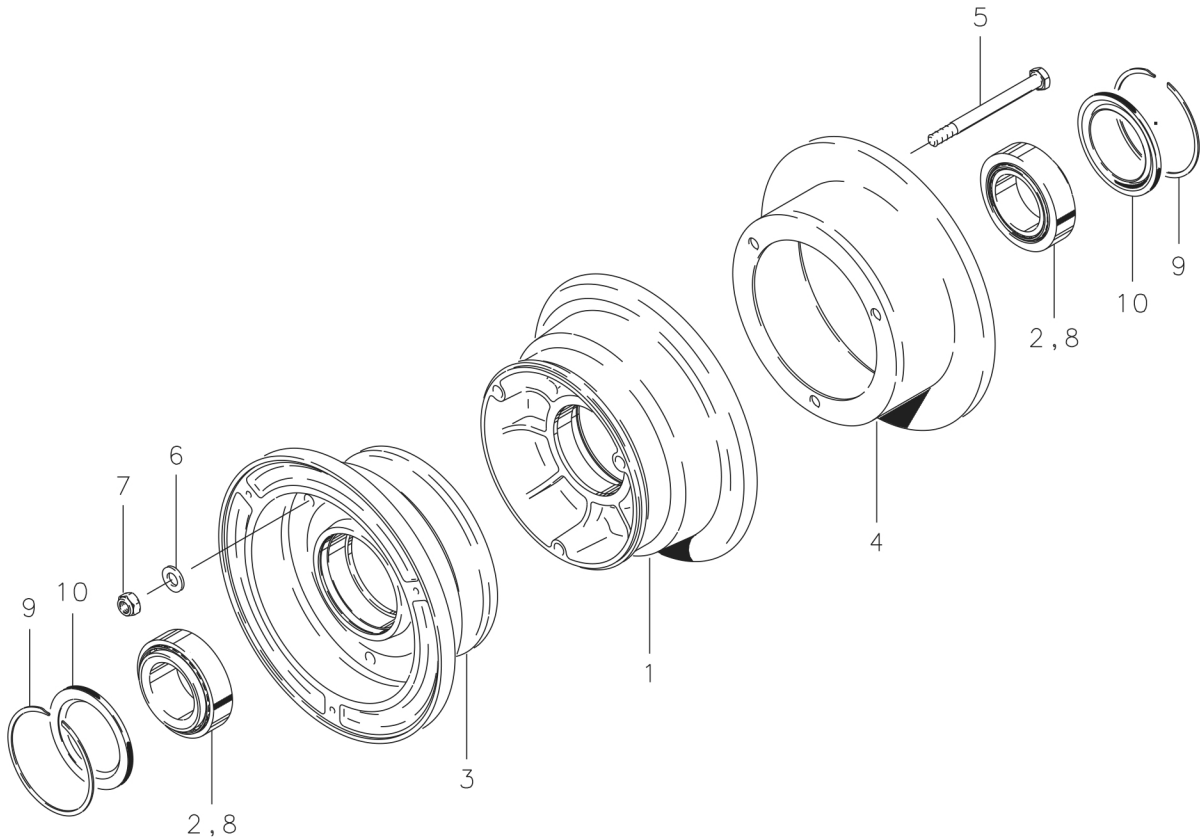


FIG.	PART NO.	DESCRIPTION	40-407
1	161-04700	Inner Wheel Half Assembly	1
2	214-00100	Cup-Bearing	1
3	162-04500	Outer Wheel Half Assembly	1
2	214-00100	Cup-Bearing	1
4	164-24400	Brake Disc	1
5	103-20400	Bolt (AN5-35A)	3
6	095-10500	Washer (AN960-516)	3
7	094-10400	Nut (MS21044-N5)	3
8	214-00200	Cone-Bearing	2
9	155-00100	Snap Ring	2
10	154-03000	Molded Grease Seal	2