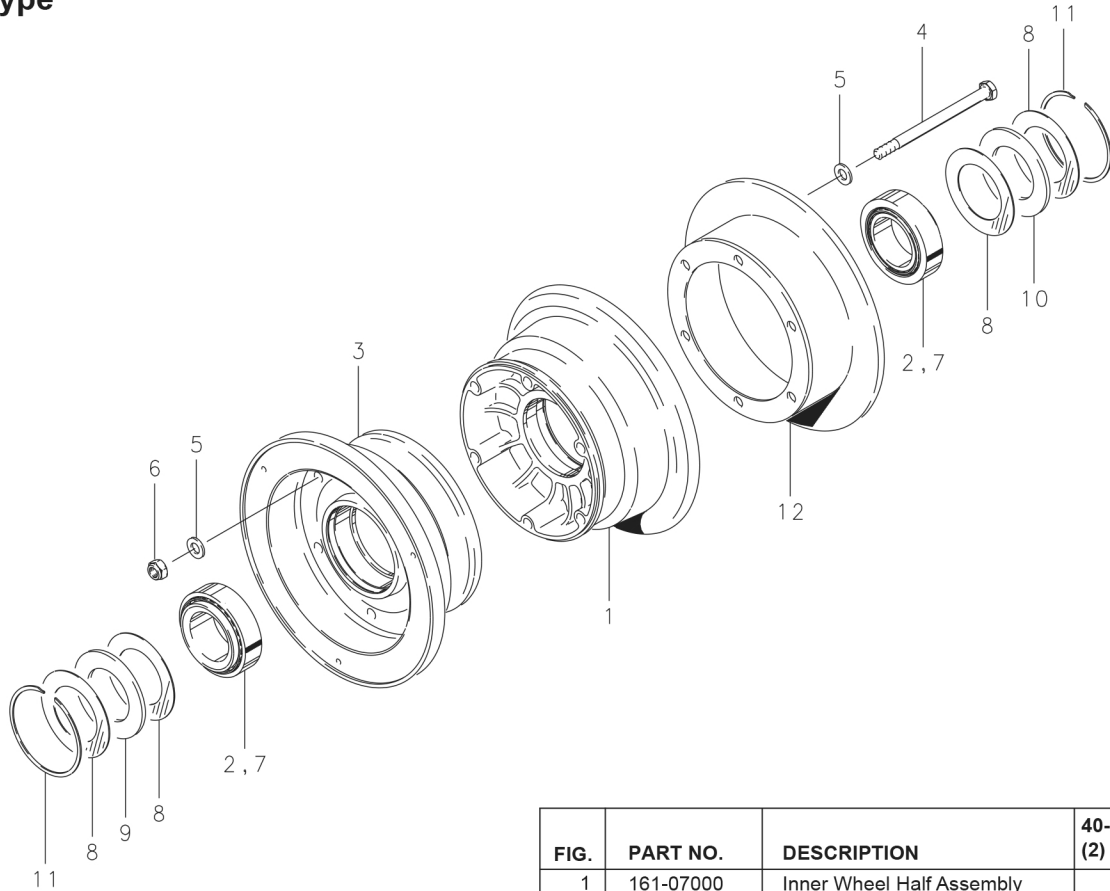


40-60

Tube-Type



NOTES:

- (1) Alternate chrome plated disc.
- (2) To be used with 1-1/4" axle.
- (3) Use with:
  - 6.00-6 4- and 6-ply,
  - 7.00-6 4- and 6-ply,
  - 8.00-6 4-, 6- and 8-ply
- (4) Also available with chrome plated disc. To order, specify assembly number followed by "CHROME."
- (5) Performance gold disc no longer available.

FIG.	PART NO.	DESCRIPTION	40-60 (2) (3) (4)
1	161-07000	Inner Wheel Half Assembly	1
2	214-00300	Cup-Bearing	1
3	162-06500	Outer Wheel Half Assembly	1
2	214-00300	Cup-Bearing	1
4	103-11000	Bolt (AN4-36A)	6
5	095-72600	Washer (MS20002-4)	12
6	094-10300	Nut (MS21044-N4)	6
7	214-00400	Cone-Bearing	2
8	153-00200	Ring-Grease Seal	4
9	154-00200	Felt-Grease Seal	1
10	154-02800	Felt-Grease Seal	1
11	155-00200	Snap Ring	2
12	164-06700	Brake Disc	1
	164-16700 (1)	Brake Disc - Chrome	1
	(5)	Brake Disc - Performance Gold	1