

40-77G

Tube - Type

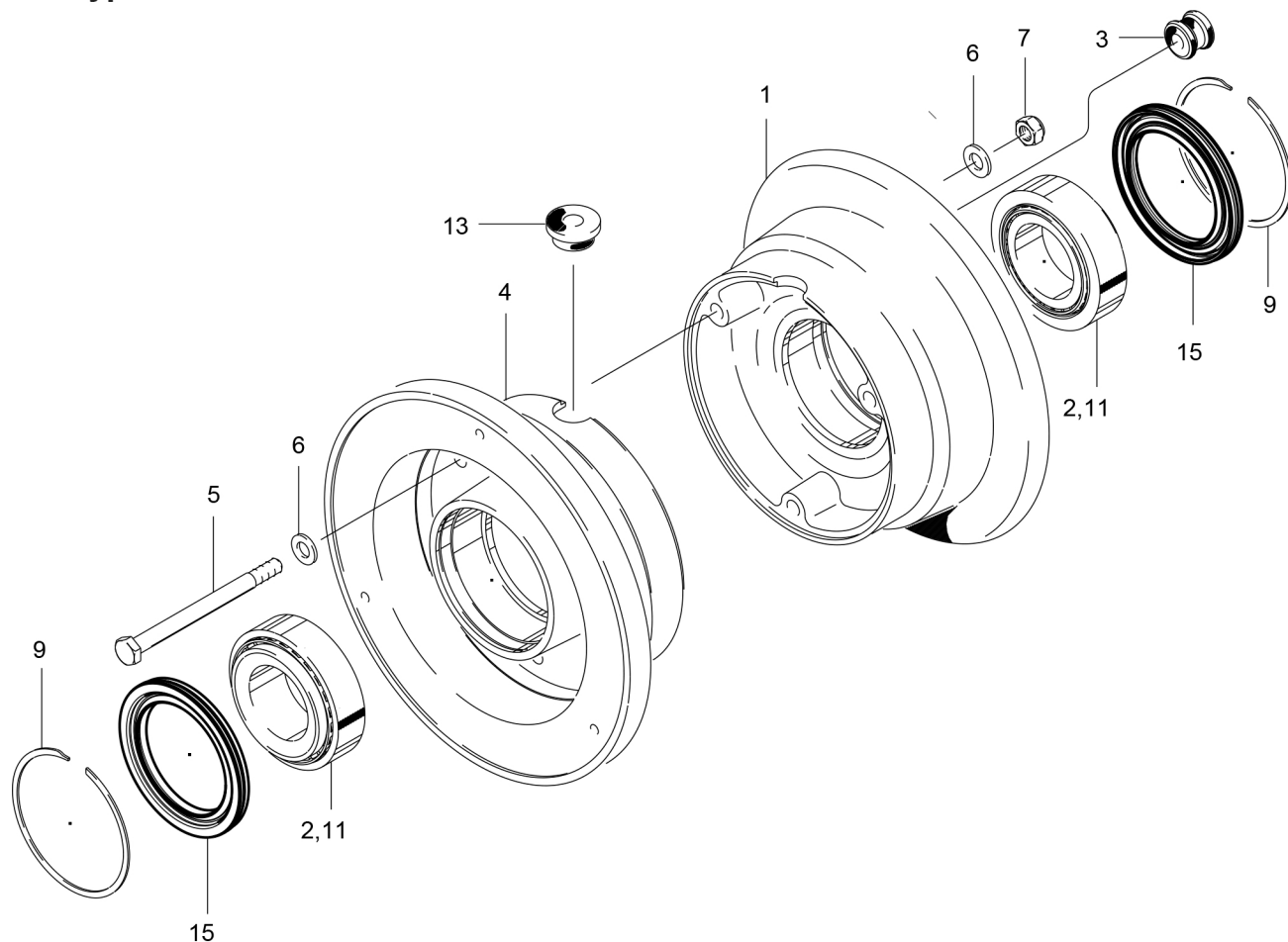


FIG.	PART NO.	DESCRIPTION	40-77G
1	162-05300	Outer Wheel Half Assembly	1
2	214-00300	Cup-Bearing	1
3	217-00100	Grommet	1
4	161-05500	Inner Wheel Half Assembly	1
2	214-00300	Cup-Bearing	1
5	103-85600	Bolt (MS21250-04030)	3
6	095-14600	Washer (MS14155-4)	6
7	094-13800	Nut	3
9	155-00200	Snap Ring	2
11	214-00400	Cone-Bearing	2
13	217-30653	Grommet	1
15	154-13000	Molded Grease Seal	2