

40-84

Tube-Type

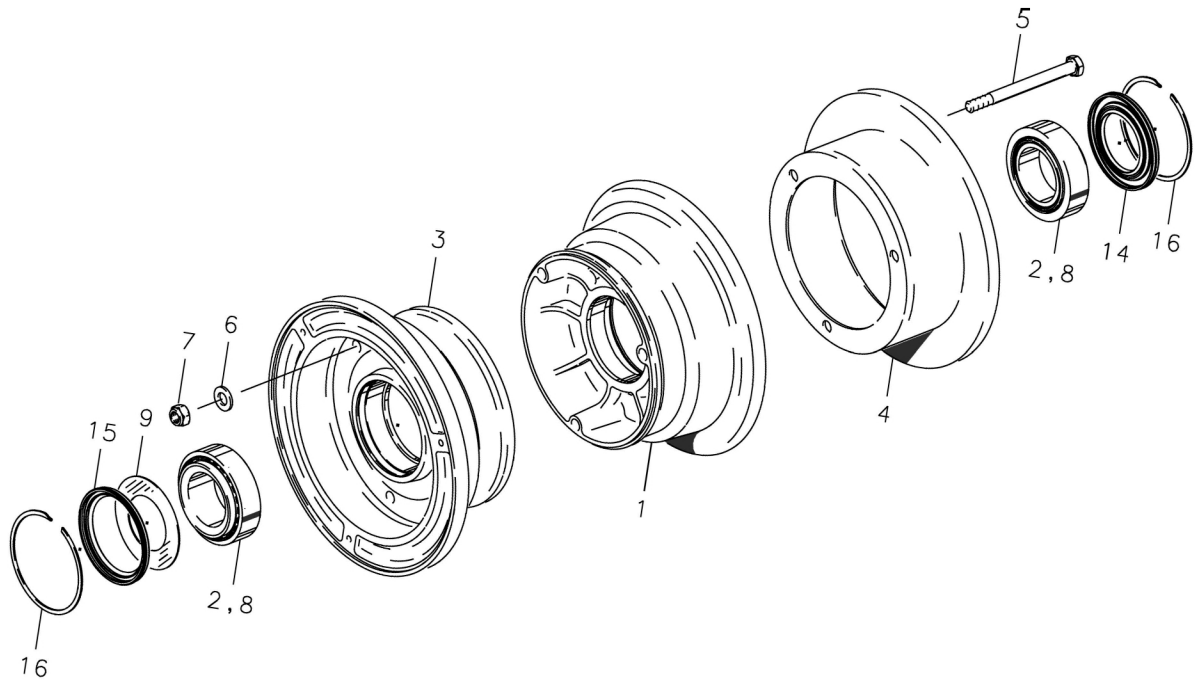


FIG.	PART NO.	DESCRIPTION	40-84 (2)
1	161-04700	Inner Wheel Half Assembly	1
2	214-00100	Cup-Bearing	1
3	162-04500	Outer Wheel Half Assembly	1
2	214-00100	Cup-Bearing	1
4	164-01900	Brake Disc	1
	164-11900 (1)	Brake Disc-Chrome	1
5	103-20400	Bolt (AN5-35A)	3
6	095-10500	Washer (AN960-516)	3
7	094-10400	Nut (MS21044-N5)	3
8	214-00200	Cone-Bearing	2
9	153-00300	Ring-Grease Seal	1
14	154-12000	Molded Grease Seal	1
15	154-12400	Molded Grease Seal	1
16	155-00100	Snap Ring	2

NOTES:

- (1) Alternate chrome plated disc.
- (2) SB7059-1 Service Bulletin Kit upgrades wheel to 40-84B configuration per SB7059.