

40-90

Tube-Type

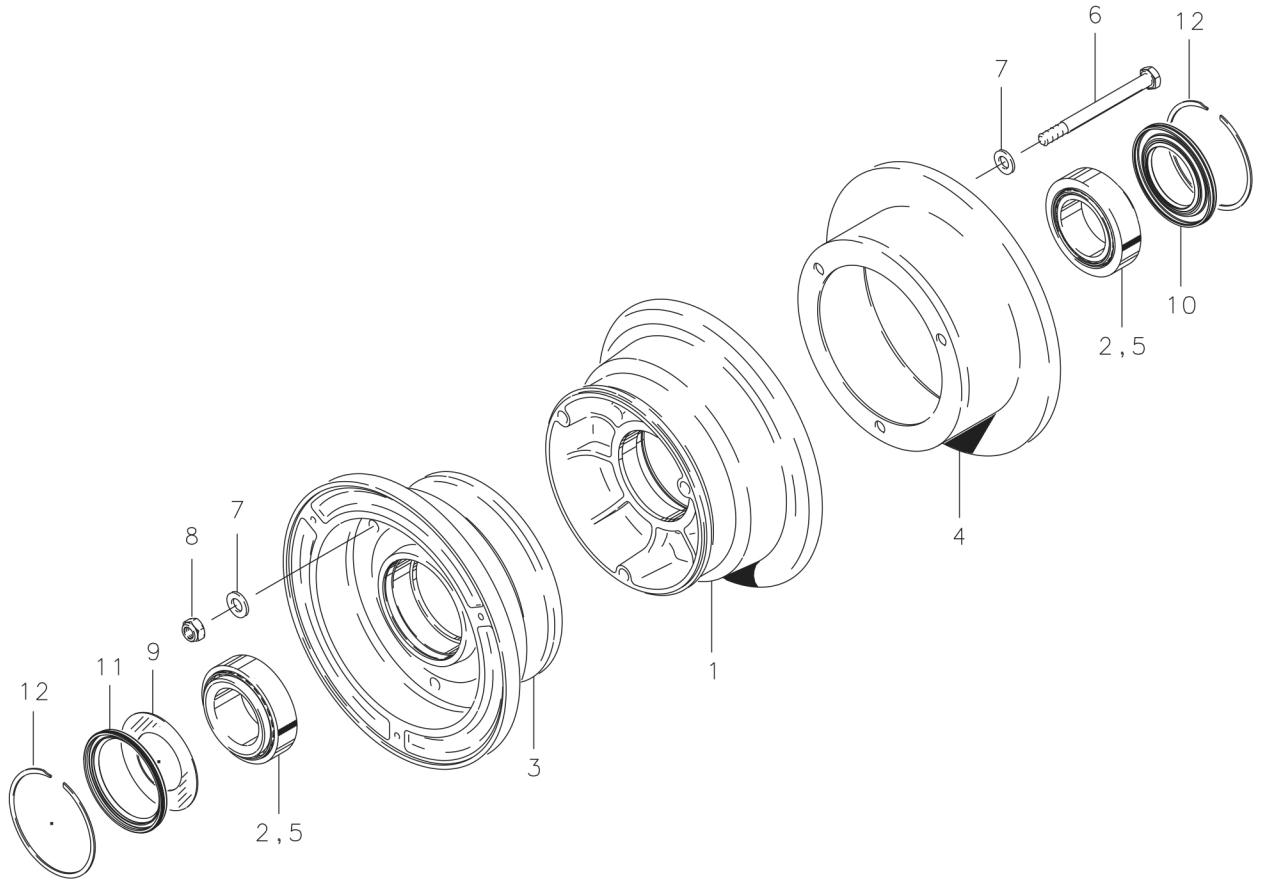


FIG.	PART NO.	DESCRIPTION	40-90
1	161-03000	Inner Wheel Half Assembly	1
2	214-00100	Cup-Bearing	1
3	162-02700	Outer Wheel Half Assembly	1
2	214-00100	Cup-Bearing	1
4	164-02201	Brake Disc	1
5	214-00200	Cone-Bearing	2
6	103-20500	Bolt (AN5-36A)	3
7	095-10500	Washer (AN960-516)	6
8	094-10400	Nut (MS21044-N5)	3
9	153-00300	Ring-Grease Seal	1
10	154-12000	Molded Grease Seal	1
11	154-12400	Molded Grease Seal	1
12	155-00100	Snap Ring	2