

40-98A

Tube-Type

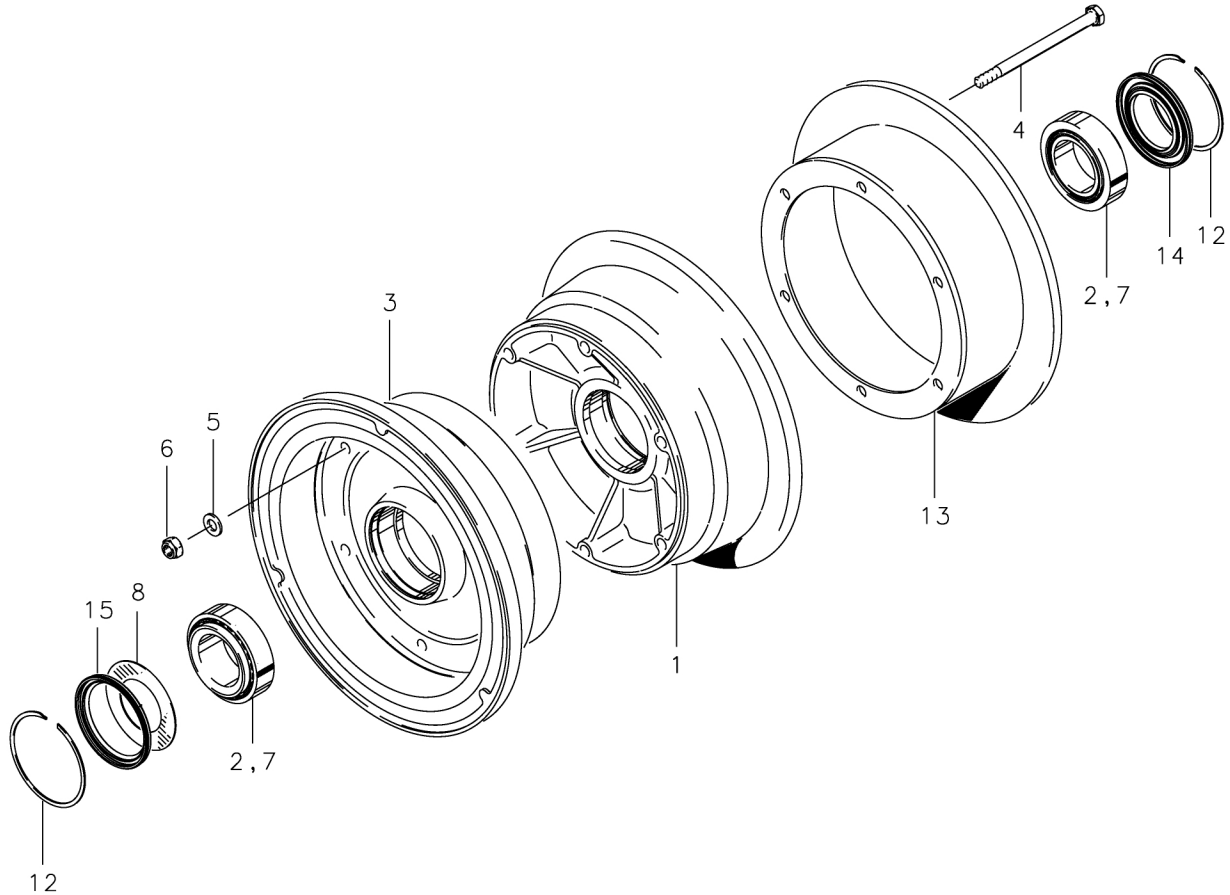


FIG.	PART NO.	DESCRIPTION	40-98A
1	161-02300	Inner Wheel Half Assembly	1
2	214-00100	Cup-Bearing	1
3	162-04800	Outer Wheel Half Assembly	1
2	214-00100	Cup-Bearing	1
4	103-20400	Bolt (AN5-35A)	6
5	095-10500	Washer (AN960-516)	6
6	094-10400	Nut (MS21044-N5)	6
7	214-00200	Cone-Bearing	2
8	153-00300	Ring-Grease Seal	1
12	155-00100	Snap-Ring	2
13	164-02707	Brake Disc	1
14	154-12000	Molded Grease Seal	1
15	154-12400	Molded Grease Seal	1