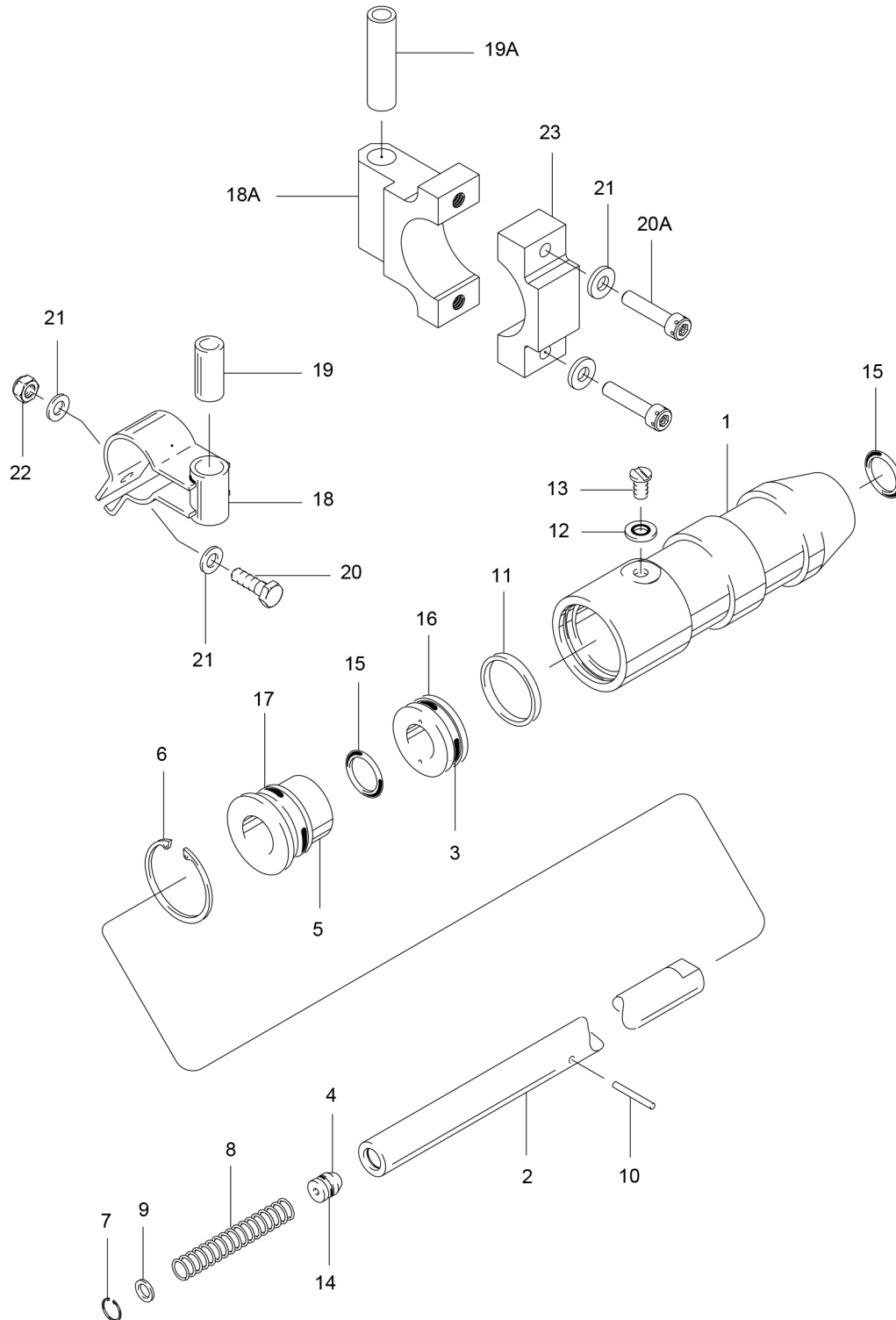


15-2, 15-8, 15-9, 15-10, 15-11, 15-13, 15-14, 15-16



Miscellaneous Hydraulic Assembly Shimmy Damper – Series Noted

Illustrated Parts List

15-2, 15-8, 15-9, 15-10, 15-11, 15-13, 15-14, 15-16

Note: Parts list for reference only. Contact airframe manufacturer to order shimmy dampers and components listed, except as noted.

FIG.	PART NO.	DESCRIPTION	PER ASSY.									
			15-2	15-8 (3)	15-9 (3)	15-10 (3)	15-11	15-13	15-14	15-16		
1	144-10100	Cylinder Body	1									
	144-08400	Cylinder Body		1	1	1	1			1	1	
	144-10000	Cylinder Body							1			
2	142-08600	Piston Rod		1								
	142-08800	Piston Rod	1		1	1	1	1				1
	142-10600	Piston Rod								1		
3	148-05000	Piston			1							
	148-05100	Piston	1	1		1	1	1	1	1	1	1
4	148-05200	Piston-Floating	1	1	1	1	1	1	1	1	1	1
5	141-05000	End Gland	1	1	1	1	1	1	1	1	1	1
6	155-08500	Snap Ring (MS16625-1112)	1	1	1	1	1	1	1	1	1	1
7	155-08400	Snap Ring (MS16625-1031)	1	1	1	1	1	1	1	1	1	1
8	082-08100	Spring	1	1	1	1	1	1	1	1	1	1
9	095-03800	Washer	1	1	1	1	1	1	1	1	1	1
10	223-02900	Roll Pin (MS171500)	1	1	1	1	1	1	1	1	1	1
11	139-13700	Glyd Ring	1	1	1	1	1	1	1	1	1	1
12	095-02600	Stat-O-Seal (600-001-10)	1	1	1	1	1	1	1	1	1	1
13	102-20400	Screw (MS51958-59)	1	1	1	1	1	1	1	1	1	1
14	101-00300	O-Ring (MS28775-008)	1	1	1	1	1	1	1	1	1	1
15	101-01000	O-Ring (MS28775-112)	2	2	2	2	2	2	2	2	2	2
16	101-01400	O-Ring (MS28775-116)	1	1	1	1	1	1	1	1	1	1
17	101-01500	O-Ring (MS28775-210)	1	1	1	1	1	1	1	1	1	1
18	185-00300	Clamp Assembly	1	1		1			1			
	185-00700	Clamp Assembly			1							1
	185-00900	Clamp Assembly					1					
18A	111-08500	Clamp Assembly								1		
19	145-08900	Bushing	1	1		1	1	1				
	145-08900	Bushing			1							1
19A	145-07900	Bushing								1		
20	103-00100	Bolt (AN3-5A)	1	1	1	1	1	1	1			1
20A	102-01900	Bolt (MS24678-13)									2	
21	095-13100	Washer (AN960C10)	2	2	2	2	2	2	2	2	2	2
22	094-12300	Nut (AN365-1032)	1	1	1	1	1	1	1			1
23	110-10600	Clamp-Upper									1	
(1)	139-06500	Lockwire (2)							AR			
	199-535	Seal Kit (items 6, 7, 9, 11, 12, 14, 15, 16, 17)	1	1	1	1	1	1	1	1	1	1

NOTES:

- (1) Item not illustrated.
- (2) Qty. AR: As Required.
- (3) FAA-PMA approved.