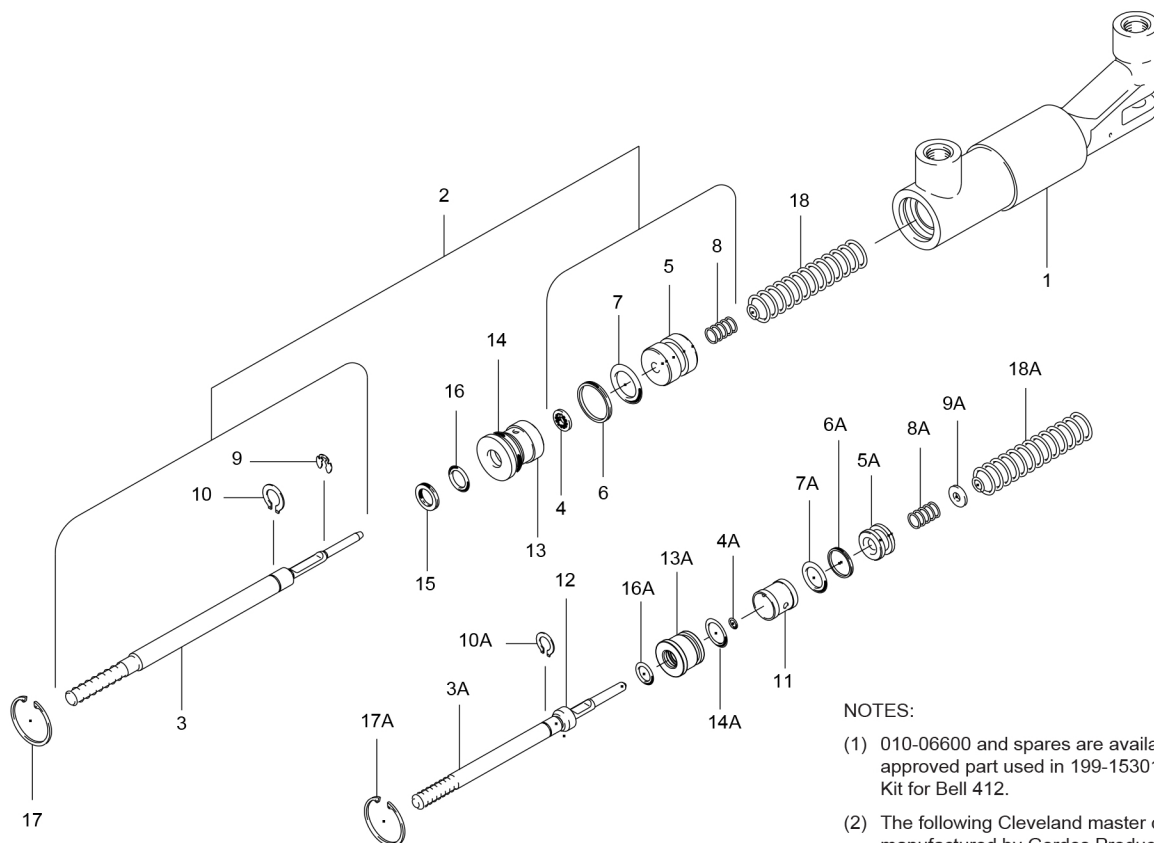


Master Cylinder Push Type

Illustrated Parts List

010-06000, 010-06600



NOTES:

- (1) 010-06600 and spares are available thru distribution; PMA approved part used in 199-15301 Wheeled Landing Gear Kit for Bell 412.
- (2) The following Cleveland master cylinders were formerly manufactured by Gerdes Product Co.

C.W.B. GERDES
NUMBER NUMBER
010-06000 A-2160-1

NOTE: Parts list for reference only. Contact airframe manufacturer to order master cylinders and components listed.

FIG.	PART NO.	DESCRIPTION	PER ASSY.	
			010-06000	010-06600 (1)
1	144-05300	Housing Assembly	1	
	189-09400	Body Assembly		1
2	182-03000	Piston Rod Assembly		1
3	142-07500	Rod Piston		1
3A	142-05900	Shaft	1	
4	095-02600	Stat-O-Seal		1
4A	101-50349	O-Ring (MS28775-007)	1	
5	148-04400	Piston		1
5A	148-03900	Piston	1	
6	100-20012	Back Up Ring (MS28782-12)		1
6A	100-10143	Back Up Ring (MS28774-111)	1	
7	101-50357	O-Ring (MS28775-114)		1
7A	101-00900	O-Ring (MS28775-111)	1	
8	082-07100	Spring		1
8A	082-05500	Spring	1	
9	155-07100	Snap Ring		1
9A	095-13100	Washer (AN960C10)	1	

FIG.	PART NO.	DESCRIPTION	PER ASSY.	
			010-06000	010-06600 (1)
10	155-06500	Snap Ring		1
10A	155-05700	Snap Ring	1	
11	067-05600	Spacer		1
12	139-06200	Thrust Collar		1
13	141-03400	End Gland		1
13A	141-03200	End Gland	1	
14	101-50369	O-Ring (MS28775-017)		1
14A	101-20200	O-Ring (MS28775-011)	1	
15	100-20008	Backup Ring (MS28782-8)		1
16	101-00800	O-Ring (MS28775-110)		1
16A	101-50341	O-Ring (MS28775-011)	1	
17	155-06700	Snap Ring		1
17A	155-05400	Snap Ring	1	
18	082-06900	Spring-Return		1
18A	082-06400	Spring-Return	1	

199-532	Repair Kit (4, 6, 7, 14, 15, 16)		1
199-569	Repair Kit (4A, 6A, 7A, 14A, 16A, 17A)	1	