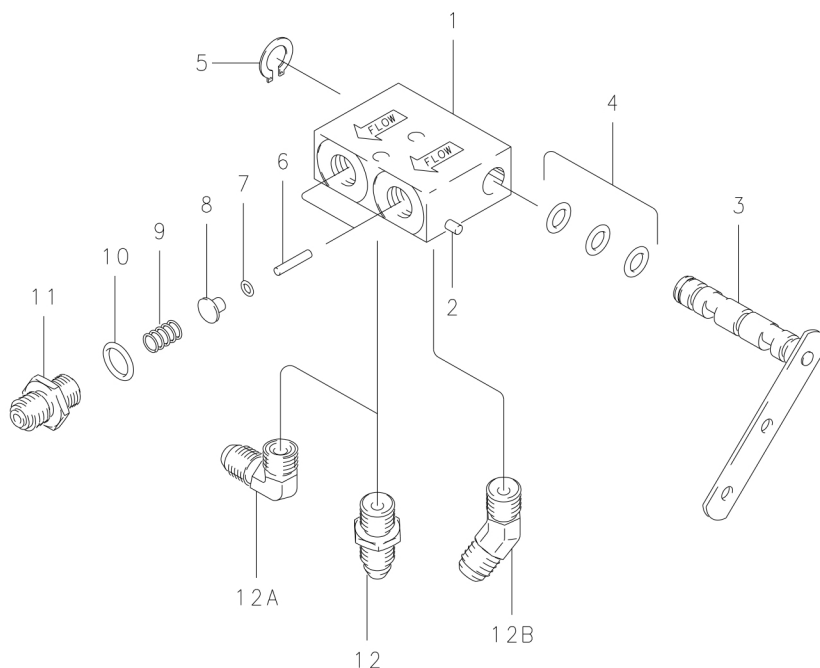


Parking Valve

Illustrated Parts List

60-10, 60-13, 60-15, 60-17, 60-21, 60-25, 60-41



NOTES:

- (1) Inactive Assembly – spares support only for parts listed.
- (2) Inactive parts – no longer available for spares support.
- (3) The following Cleveland parking valves were formerly manufactured by Gerdes Products Co.

C.W.B. NUMBER	GERDES NUMBER
60-10	A-850-8
60-13	A-850-15
60-15	A-850-18
60-17	A-850-8 (Cessna)
60-21	A-850-19
- (4) P/N 101-50353 has been superseded by P/N 101-00100.
- (5) FAA-PMA approved.

Note: Parts list for reference only. Contact airframe manufacturer to order parking valve and components listed, except as noted.

FIG.	PART NO.	DESCRIPTION	PER ASSY.						
			60-10 (3) (5)	60-13 (3)	60-15 (1) (3)	60-17 (3)	60-21 (3)	60-25	60-41
1	195-02600	Body, Valve	1	1	1	1	1	1	1
	195-03500	Body, Valve						1	
2	223-02000	Roll Pin	1	1	1	1	1	1	1
3	181-00700	Camshaft Assembly		1			1	1	
	181-00800	Camshaft Assembly	1		1	1			1
4	101-00500	O-Ring, Camshaft (MS28775-010)	3	3	3	3	3	3	3
5	155-05800	Snap Ring	1	1	1	1	1	1	1
6	139-06800	Dowel Pin	2	2	2	2	2	2	2
7	101-00100	O-Ring, Poppet (2-006-N0304-75)	2	2		2	2	2	2
	101-50353	O-Ring, Poppet (2-006-N507-90)			(4)				
8	190-00800	Poppet	2	2		2	2	2	2
	(2)	Poppet			2				
9	082-06600	Spring	2	2	2	2	2	2	2
10	101-00700	O-Ring, Fitting (MS28775-012)	2	2	2	2	2	2	2
11	104-03300	Fitting	2	2		2			
	104-03500	Fitting			2		2	2	
	104-12200	Fitting							2
12	104-03700	Fitting	3	3	3	3	3	3	
12A	104-04300	Nipple					1		
12B	104-03600	Fitting (MS20823-3D)		1			1		
	199-594	Seal Kit (items 4, 7, 10)	1	1		1	1	1	1