

Cleveland

Wheels & Brakes

Parker Hannifin Corporation
Aircraft Wheel & Brake
1160 Center Road
Avon, Ohio 44011 USA
1-800-BRAKING (272-5464)
440-937-1272 • FAX 440-937-5409

SERVICE BULLETIN

WHEEL ASSEMBLY 40-40B – INNER BEARING CUP - INSPECT/REPLACE

EFFECTIVITY: Parker Hannifin 10-inch Main Wheel Assembly Model Number 40-40B, wheels manufactured in December, 2000, identified with Mfg. Date Code "12/00".

APPLICABILITY: The above listed products have been furnished as part of STC Approved Kit P/N 199-64 for use on the following Aircraft:

Reference Approval per STC SA110GL, Cessna Models:

320, 320-1, 320A, 320B, 320C, 320D, 320E, 320F (320 series S/N's 0001-D9999; 320E0001-F9999)

Reference Approval per STC SA111GL, Cessna Models:

310, 310A thru 310H, E310H, 310I, 310J, 310J-1, E310J, 310K, 310L, 310N, 310P, T310P, 310Q, T310Q, 310R, T310R

REASON: Parker Hannifin has received reports of Wheel Assembly 40-40B equipped with incorrect Inner Bearing Cups. Investigation has revealed that incorrect bearing cups have been installed only on 40-40B wheels that were manufactured in December, 2000. This condition will not permit proper mating of the bearing cup to cone, and if not corrected may result in reduced bearing spacing, affecting axle nut tightening, and could cause a reduction in bearing and wheel assembly service life.

DESCRIPTION: This document provides the necessary instructions to inspect the 40-40B Main Wheel with 12/00 Mfg. Date Code, for the presence of incorrect inner bearing cups. Wheel assemblies containing the incorrect Inner Bearing Cup are to be corrected in accordance with accomplishment instructions.

COMPLIANCE: **Mandatory- Perform accomplishment instructions as outlined.**

APPROVAL: The contents of this Service Bulletin are FAA DER approved.

WT. & BAL.: Not Applicable

MATERIALS: The following parts are required to rework one 40-40B wheel assembly equipped with an incorrect Inner Bearing Cup:

<u>Part Number</u>	<u>Description</u>	<u>Quantity</u>
161-01901	Inner Wheel Half Assembly	1
214-01400	Inner Bearing Cone	1

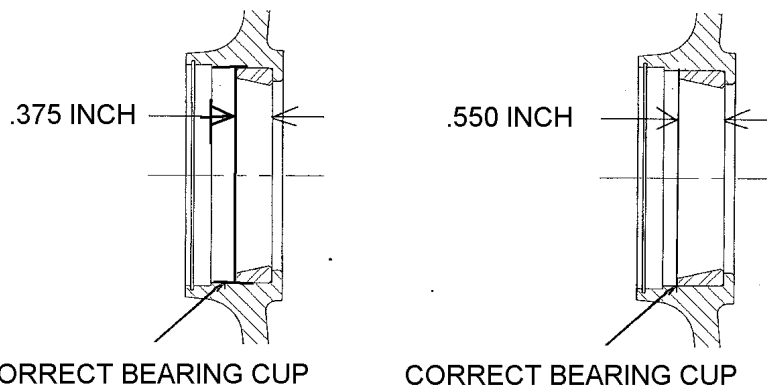
SERVICE BULLETIN

PUBLICATIONS: This service bulletin will be incorporated into the Cleveland Wheels & Brakes Component Maintenance Manual at next revision.

ACCOMPLISHMENT INSTRUCTIONS:

- 1) Within the next 25 Flight Hours, at next annual inspection, or at next tire change, whichever comes first, inspect aircraft or aircraft records to determine if Main Wheel Assembly Model Number 40-40B is installed.
- 2) Aircraft that have been identified as not being equipped with the 40-40B Main Wheel may be returned to service.
- 3) For aircraft that are identified as being equipped with the 40-40B Main Wheel, inspect Wheel Assembly Nameplate (located on Outer Wheel Half) for applicable Mfg. Date Code "12/00".

40-40B Wheels with Mfg. Date Code "12/00" (Manufactured in December, 2000) may be equipped with the wrong Inner Bearing Cup, and must be removed from the aircraft and inspected to determine if the correct Inner Bearing Cup is installed. The bearing cup width should be .550 inch. If the incorrect bearing cup is installed, cup width will measure at .375 inch. Tear down of the wheel assembly is not required to perform this inspection. This measurement can be made by removing the Inner Bearing Cone. Refer to figure below for inspection criteria.



- 4) If inspection indicates that the incorrect Inner Bearing Cup is installed, remove the existing Inner Wheel Half Assembly and Inner Bearing Cone, and replace with new Inner Wheel Half Assembly and Inner Bearing Cone as listed in MATERIALS Section of this Service Bulletin. Maintenance to be performed per Cleveland Wheel & Brake Maintenance Manual (AWBCMM0001).

Note:

Contact Parker Hannifin, Aircraft Wheel & Brake Customer Support for Warranty replacement information.

- 5) All 40-40B Wheels verified as being equipped with the correct Inner Bearing Cup (per nameplate identification verified as not "12/00", per inspection of Inner Bearing Cup width), or those wheels reworked per step 4), may be returned to service.
- 6) Make an appropriate Log Book entry for each maintenance activity performed.