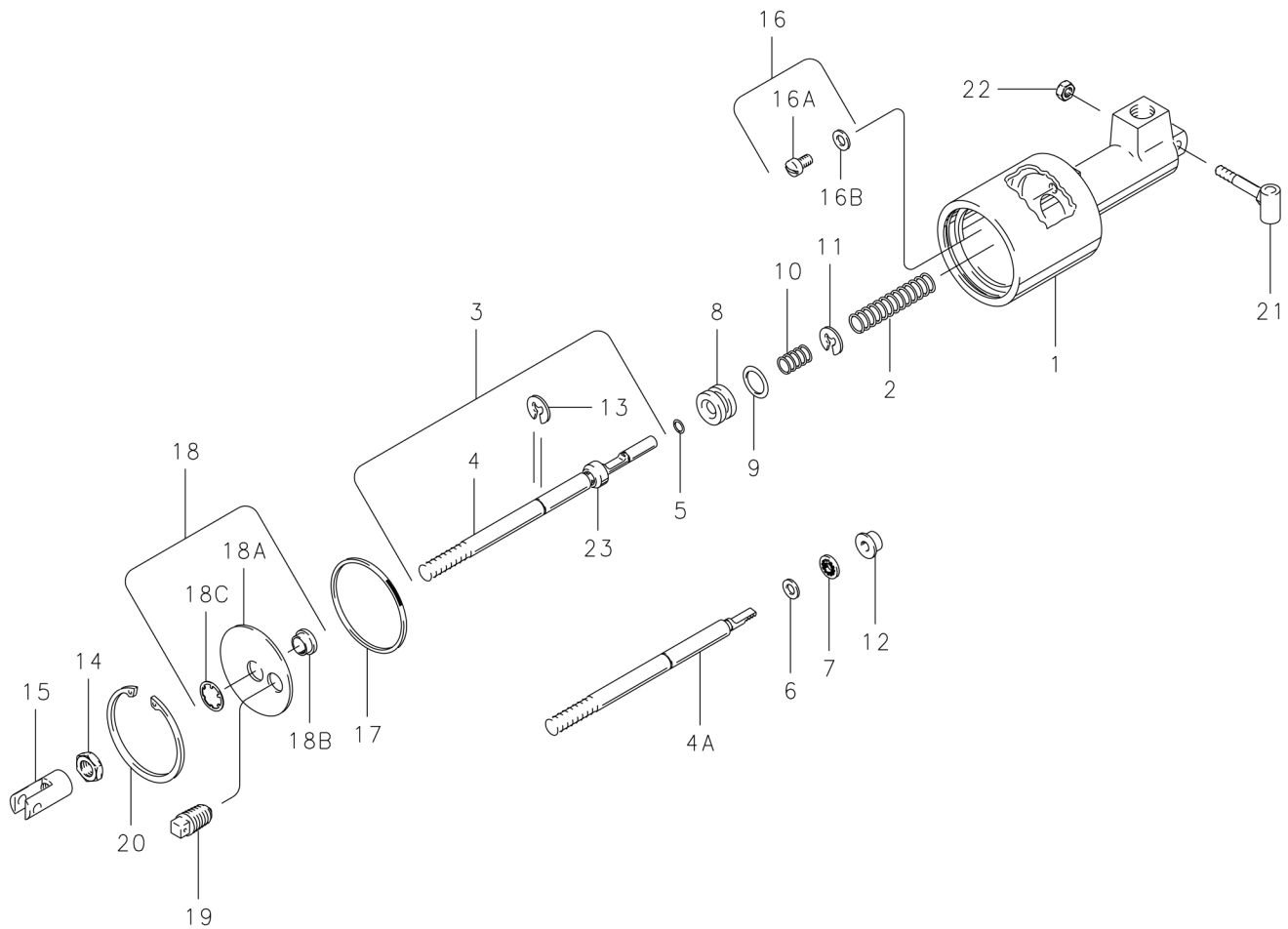


10-34, 10-35, 10-36, 10-38, 10-39, 10-45, 10-69



Illustrated Parts List

Master Cylinder Push Type with Reservoir

10-34, 10-35, 10-36, 10-38, 10-39, 10-45, 10-69

NOTE: Parts list for reference only. Contact the airframe manufacturer to order master cylinders and components listed.

FIG.	PART NO.	DESCRIPTION	PER ASSY.						
			10-34 (2)	10-35 (2)	10-36 (2)	10-38 (2)	10-39 (2)	10-45 (2)	10-69 (1)
1	144-03800	Cylinder Body	1			1		1	
	144-03900	Cylinder Body		1					
	144-04000	Cylinder Body			1				
	144-04200	Cylinder Body					1		
	144-06700	Cylinder Body							1
2	082-05400	Spring-Return	1	1		1	1	1	
	082-05700	Spring-Return			1				1
3	182-05000	Piston Rod Assembly				1	1	1	
4	142-04000	Piston Rod	1	1					
4A	142-04300	Piston Rod			1				
	142-08000	Piston Rod							1
5	101-00300	O-Ring (MS28775-008)	1	1		1	1	1	
6	095-12800	Washer			1				1
7	095-02600	Stat-O-Seal			1				1
8	148-02800	Piston	1	1		1	1	1	
	148-02900	Piston			1				
	148-04700	Piston							1
9	101-00900	O-Ring, Piston (MS28775-111)	1	1		1	1	1	
	101-01300	O-Ring, Piston (MS28775-115)							1
	101-01000	O-Ring, Piston (MS28775-112)			1				
10	082-05500	Spring-Piston	1	1		1	1	1	1
	082-05600	Spring-Piston			1				
11	155-05100	Snap Ring	1	1		1	1	1	
12	145-06500	Spring Guide			1				1
13	155-07200	Snap Ring	1	1		1	1	1	
14	094-04300	Nut-Check (AN316-5)	1	1	1	1	1	1	1
15	143-01000	Clevis-Rod	1	1	1	1			1
	143-01100	Clevis-Rod					1		
16	111-04300	Screw & Washer Assembly				1	1	1	
16A	102-20200	Screw	1	1	1				1
16B	095-10300	Washer	1	1	1				1
17	101-60001	O-Ring, Reservoir	1	1	1	1	1	1	1
18	111-04600	Cover Assembly			1	1	1	1	1
18A	147-00700	Cover Plate	1	1					
18B	145-06400	Bushing-Bronze	1	1					
18C	155-06900	Retaining Ring	1	1					
19	140-01900	Filler Plug	1	1	1	1	1	1	1
20	155-06300	Snap Ring	1	1	1	1	1	1	1
21	110-05200	Adapter-Clevis				1			
22	094-12300	Nut-Lock (AN365-1031)				1			
23	139-06200	Thrust Collar	1	1		1			

NOTES:

(1) 10-69 and spares are available thru distribution. PMA approved details of 199-115 kit for Cessna 441.

(2) The following Cleveland master cylinders were formerly manufactured by Gerdes Products Co.

C.W.B. NUMBER	GERDES NUMBER
10-34	A-049-3
10-35	A-049-4
10-36	A-049-6
10-38	A-049-8
10-39	A-049-9
10-45	A-049-35

199-513	Repair Kit (5, 9, 17)	1	1		1	1	1	
199-514	Repair Kit (6, 7, 9, 16A, 16B, 17)			1				
199-577	Repair Kit (7, 9, 17)							1

Cleveland
Wheels & Brakes

